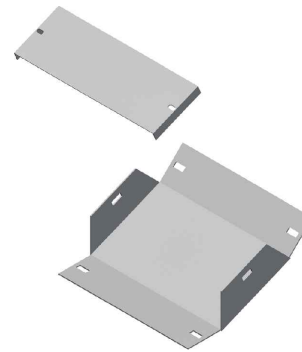
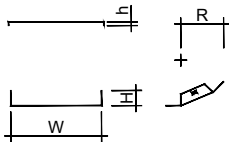

[curva salita 45° | 45° internal vertical bend]

ELEMENTO | ELEMENT

Descr.	H	W	R	Th
PFL25-CS45-1-50	25	50	150	1
PFL25-CS45-1-100	25	100	150	1
PFL25-CS45-1-50	25	50	150	1,2
PFL25-CS45-1-100	25	100	150	1,2
PFL50-CS45-1-50	50	50	150	1,2
PFL50-CS45-1-100	50	100	150	1,2
PFL50-CS45-1-200	50	200	150	1,2
PFL50-CS45-1-300	50	300	150	1,2
PFL50-CS45-1-50	50	50	150	1,5
PFL50-CS45-1-100	50	100	150	1,5
PFL50-CS45-1-200	50	200	150	1,5
PFL50-CS45-1-300	50	300	150	1,5
PFL75-CS45-1-100	75	100	150	1,2
PFL75-CS45-1-200	75	200	150	1,2
PFL75-CS45-1-300	75	300	150	1,2
PFL75-CS45-1-400	75	400	150	1,2
PFL75-CS45-1-500	75	500	150	1,2
PFL75-CS45-1-100	75	100	150	1,5
PFL75-CS45-1-200	75	200	150	1,5
PFL75-CS45-1-300	75	300	150	1,5
PFL75-CS45-1-400	75	400	150	1,5
PFL75-CS45-1-500	75	500	150	1,5

CODICE | CODE

HDG	AISI 304	AISI 316
PZS41001BCT	PIS41001BCT	PYS41001BCT
PZS41002BCT	PIS41002BCT	PYS41002BCT
PZS41001AXQ	PIS41001AXQ	PYS41001AXQ
PZS41002AXQ	PIS41002AXQ	PYS41002AXQ
PZS41001AKA	PIS41001AKA	PYS41001AKA
PZS41002AKA	PIS41002AKA	PYS41002AKA
PZS41004AKA	PIS41004AKA	PYS41004AKA
PZS41006AKA	PIS41006AKA	PYS41006AKA
E0S41201	PIS41001AGD	PYS41001AGD
E0S41202	PIS41002AGD	PYS41002AGD
E0S41204	PIS41004AGD	PYS41004AGD
E0S41206	PIS41006AGD	PYS41006AGD
PZS41002ASO	PIS41002ASO	PYS41002ASO
PZS41004ASO	PIS41004ASO	PYS41004ASO
PZS41006ASO	PIS41006ASO	PYS41006ASO
PZS41008ASO	PIS41008ASO	PYS41008ASO
PZS41010ASO	PIS41010ASO	PYS41010ASO
E0S41302	PIS41002AGC	PYS41002AGC
E0S41304	PIS41004AGC	PYS41004AGC
E0S41306	PIS41006AGC	PYS41006AGC
E0S41308	PIS41008AGC	PYS41008AGC
E0S41310	PIS41010AGC	PYS41010AGC

COPERCHIO | COVER

Descr.	h	W	R	Th
PFL25-CCS45-1-50	12	50	150	1
PFL25-CCS45-1-100	12	100	150	1
PFL50-CCS45-1-50	12	50	150	1
PFL50-CCS45-1-100	12	100	150	1
PFL50-CCS45-1-200	12	200	150	1
PFL50-CCS45-1-300	12	300	150	1
PFL75-CCS45-1-100	12	100	150	1
PFL75-CCS45-1-200	12	200	150	1
PFL75-CCS45-1-300	12	300	150	1
PFL75-CCS45-1-400	12	400	150	1
PFL75-CCS45-1-500	12	500	150	1

CODICE | CODE

HDG	AISI 304	AISI 316
LOS41101	CIS41001ALW	CYS41001ALW
LOS41102	CIS41002ALW	CYS41002ALW
LOS41201	CIS41001ADN	CYS41001ADN
LOS41202	CIS41002ADN	CYS41002ADN
LOS41204	CIS41004ADN	CYS41004ADN
LOS41206	CIS41006ADN	CYS41006ADN
LOS41302	CIS41002AEL	CYS41002AEL
LOS41304	CIS41004AEL	CYS41004AEL
LOS41306	CIS41006AEL	CYS41006AEL
LOS41308	CIS41008AEL	CYS41008AEL
LOS41310	CIS41010AEL	CYS41010AEL

A Richiesta. Materiale: Alluminio - Finitura: Verniciatura - Altezza (H): 50+100 mm - Raggio (R): 100+300 mm - Spessore (Th): 1,0 - 1,2 - 1,5 - 2 mm.
On request. Material: Aluminium - Finish: Paint job - Height (H): 50+100 mm - Radius (R): 100+300 mm - Thickness (Th): 1,0 - 1,2 - 1,5 - 2 mm.