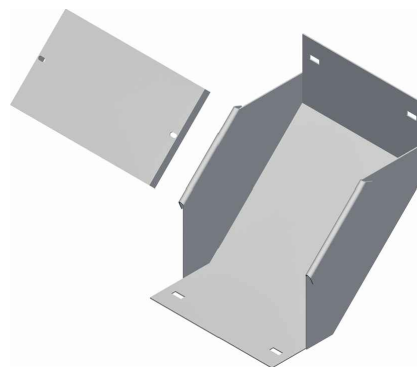
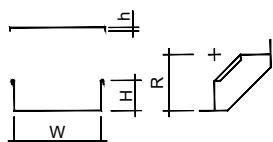


[curva salita 90° | 90° internal vertical bend]



ELEMENTO | ELEMENT

Descr.	H	W	R	Th
PFLR60-CS90-2-100	60	100	200	1,2
PFLR60-CS90-2-200	60	200	200	1,2
PFLR60-CS90-2-300	60	300	200	1,2
PFLR60-CS90-2-400	60	400	200	1,2
PFLR60-CS90-2-500	60	500	200	1,2
PFLR60-CS90-2-600	60	600	200	1,2
PFLR60-CS90-2-100	60	100	200	1,5
PFLR60-CS90-2-200	60	200	200	1,5
PFLR60-CS90-2-300	60	300	200	1,5
PFLR60-CS90-2-400	60	400	200	1,5
PFLR60-CS90-2-500	60	500	200	1,5
PFLR60-CS90-2-600	60	600	200	1,5
PFLR100-CS90-2-100	100	100	200	1,5
PFLR100-CS90-2-200	100	200	200	1,5
PFLR100-CS90-2-300	100	300	200	1,5
PFLR100-CS90-2-400	100	400	200	1,5
PFLR100-CS90-2-500	100	500	200	1,5
PFLR100-CS90-2-600	100	600	200	1,5
PFLR100-CS90-2-100	100	100	200	2
PFLR100-CS90-2-200	100	200	200	2
PFLR100-CS90-2-300	100	300	200	2
PFLR100-CS90-2-400	100	400	200	2
PFLR100-CS90-2-500	100	500	200	2
PFLR100-CS90-2-600	100	600	200	2

CODICE | CODE

HDG	AISI 304	AISI 316
PZS92002AJY	PIS92002AJY	PYS92002AJY
PZS92004AJY	PIS92004AJY	PYS92004AJY
PZS92006AJY	PIS92006AJY	PYS92006AJY
PZS92008AJY	PIS92008AJY	PYS92008AJY
PZS92010AJY	PIS92010AJY	PYS92010AJY
PZS92012AJY	PIS92012AJY	PYS92012AJY
⊕ B0S92002	PIS92002AQQ	PYS92002AQQ
⊕ B0S92004	PIS92004AQQ	PYS92004AQQ
⊕ B0S92006	PIS92006AQQ	PYS92006AQQ
⊕ B0S92008	PIS92008AQQ	PYS92008AQQ
⊕ B0S92010	PIS92010AQQ	PYS92010AQQ
⊕ B0S92012	PIS92012AQQ	PYS92012AQQ
⊕ C0S92002	PIS92002AQI	PYS92002AQI
⊕ C0S92004	PIS92004AQI	PYS92004AQI
⊕ C0S92006	PIS92006AQI	PYS92006AQI
⊕ C0S92008	PIS92008AQI	PYS92008AQI
⊕ C0S92010	PIS92010AQI	PYS92010AQI
⊕ C0S92012	PIS92012AQI	PYS92012AQI
PZS92002AQR	PIS92002AQR	PYS92002AQR
PZS92004AQR	PIS92004AQR	PYS92004AQR
PZS92006AQR	PIS92006AQR	PYS92006AQR
PZS92008AQR	PIS92008AQR	PYS92008AQR
PZS92010AQR	PIS92010AQR	PYS92010AQR
PZS92012AQR	PIS92012AQR	PYS92012AQR

COPERCHIO | COVER

Descr.	h	W	R	Th
PFLR60-CCS90-2-100	12	100	200	1
PFLR60-CCS90-2-200	12	200	200	1
PFLR60-CCS90-2-300	12	300	200	1
PFLR60-CCS90-2-400	12	400	200	1
PFLR60-CCS90-2-500	12	500	200	1
PFLR60-CCS90-2-600	12	600	200	1
PFLR100-CCS90-2-100	12	100	200	1
PFLR100-CCS90-2-200	12	200	200	1
PFLR100-CCS90-2-300	12	300	200	1
PFLR100-CCS90-2-400	12	400	200	1
PFLR100-CCS90-2-500	12	500	200	1
PFLR100-CCS90-2-600	12	600	200	1

CODICE | CODE

HDG	AISI 304	AISI 316
HBS92002	CIS92002ACU	CYS92002ACU
HBS92004	CIS92004ACU	CYS92004ACU
HBS92006	CIS92006ACU	CYS92006ACU
HBS92008	CIS92008ACU	CYS92008ACU
HBS92010	CIS92010ACU	CYS92010ACU
HBS92012	CIS92012ACU	CYS92012ACU
HCS92002	CIS92002AEW	CYS92002AEW
HCS92004	CIS92004AEW	CYS92004AEW
HCS92006	CIS92006AEW	CYS92006AEW
HCS92008	CIS92008AEW	CYS92008AEW
HCS92010	CIS92010AEW	CYS92010AEW
HCS92012	CIS92012AEW	CYS92012AEW

A Richiesta. Materiale: Alluminio - Finitura: Verniciatura - Altezza (H): 50+150 mm - Raggio (R): 300+1000 mm - Spessore (Th): 1,0 - 1,2 - 1,5 - 2 mm.
 On request, Material: Aluminium - Finish: Paint job - Height (H): 50+150 mm - Radius (R): 300+1000 mm - Thickness (Th): 1,0 - 1,2 - 1,5 - 2 mm.