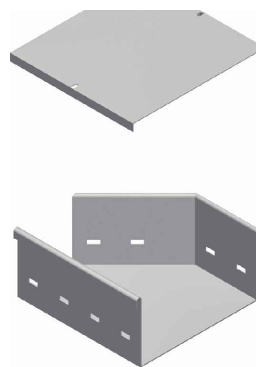
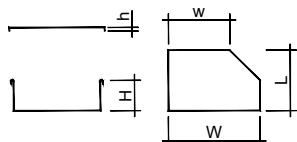


22 [riduzione sinistra | left reduction]



ELEMENTO | ELEMENT

| Descr. | H | W | w | L | Th |
|-------------------|----|-----|-----|-----|-----|
| PFLR60-RS-200/100 | 60 | 200 | 100 | 200 | 1,2 |
| PFLR60-RS-300/100 | 60 | 300 | 100 | 300 | 1,2 |
| PFLR60-RS-300/200 | 60 | 300 | 200 | 200 | 1,2 |
| PFLR60-RS-400/100 | 60 | 400 | 100 | 400 | 1,2 |
| PFLR60-RS-400/200 | 60 | 400 | 200 | 300 | 1,2 |
| PFLR60-RS-400/300 | 60 | 400 | 300 | 200 | 1,2 |
| PFLR60-RS-500/100 | 60 | 500 | 100 | 500 | 1,2 |
| PFLR60-RS-500/200 | 60 | 500 | 200 | 400 | 1,2 |
| PFLR60-RS-500/300 | 60 | 500 | 300 | 300 | 1,2 |
| PFLR60-RS-500/400 | 60 | 500 | 400 | 200 | 1,2 |
| PFLR60-RS-600/100 | 60 | 600 | 100 | 600 | 1,2 |
| PFLR60-RS-600/200 | 60 | 600 | 200 | 500 | 1,2 |
| PFLR60-RS-600/300 | 60 | 600 | 300 | 400 | 1,2 |
| PFLR60-RS-600/400 | 60 | 600 | 400 | 300 | 1,2 |
| PFLR60-RS-600/500 | 60 | 600 | 500 | 200 | 1,2 |
| PFLR60-RS-200/100 | 60 | 200 | 100 | 200 | 1,5 |
| PFLR60-RS-300/100 | 60 | 300 | 100 | 300 | 1,5 |
| PFLR60-RS-300/200 | 60 | 300 | 200 | 200 | 1,5 |
| PFLR60-RS-400/100 | 60 | 400 | 100 | 400 | 1,5 |
| PFLR60-RS-400/200 | 60 | 400 | 200 | 300 | 1,5 |
| PFLR60-RS-400/300 | 60 | 400 | 300 | 200 | 1,5 |
| PFLR60-RS-500/100 | 60 | 500 | 100 | 500 | 1,5 |
| PFLR60-RS-500/200 | 60 | 500 | 200 | 400 | 1,5 |
| PFLR60-RS-500/300 | 60 | 500 | 300 | 300 | 1,5 |
| PFLR60-RS-500/400 | 60 | 500 | 400 | 200 | 1,5 |
| PFLR60-RS-600/100 | 60 | 600 | 100 | 600 | 1,5 |
| PFLR60-RS-600/200 | 60 | 600 | 200 | 500 | 1,5 |
| PFLR60-RS-600/300 | 60 | 600 | 300 | 400 | 1,5 |
| PFLR60-RS-600/400 | 60 | 600 | 400 | 300 | 1,5 |
| PFLR60-RS-600/500 | 60 | 600 | 500 | 200 | 1,5 |

CODICE | CODE

| HDG | AISI 304 | AISI 316 |
|-------------|-------------|-------------|
| PZRS0402AJX | PIRS0402AJX | PYRS0402AJX |
| PZRS0602AJX | PIRS0602AJX | PYRS0602AJX |
| PZRS0604AJX | PIRS0604AJX | PYRS0604AJX |
| PZRS0802AJX | PIRS0802AJX | PYRS0802AJX |
| PZRS0804AJX | PIRS0804AJX | PYRS0804AJX |
| PZRS0806AJX | PIRS0806AJX | PYRS0806AJX |
| PZRS1002AJX | PIRS1002AJX | PYRS1002AJX |
| PZRS1004AJX | PIRS1004AJX | PYRS1004AJX |
| PZRS1006AJX | PIRS1006AJX | PYRS1006AJX |
| PZRS1008AJX | PIRS1008AJX | PYRS1008AJX |
| PZRS1202AJX | PIRS1202AJX | PYRS1202AJX |
| PZRS1204AJX | PIRS1204AJX | PYRS1204AJX |
| PZRS1206AJX | PIRS1206AJX | PYRS1206AJX |
| PZRS1208AJX | PIRS1208AJX | PYRS1208AJX |
| PZRS1210AJX | PIRS1210AJX | PYRS1210AJX |
| 🌱 B0RS0402 | PIRS0402AEU | PYRS0402AEU |
| 🌱 B0RS0602 | PIRS0602AEU | PYRS0602AEU |
| 🌱 B0RS0604 | PIRS0604AEU | PYRS0604AEU |
| 🌱 B0RS0802 | PIRS0802AEU | PYRS0802AEU |
| 🌱 B0RS0804 | PIRS0804AEU | PYRS0804AEU |
| 🌱 B0RS0806 | PIRS0806AEU | PYRS0806AEU |
| 🌱 B0RS1002 | PIRS1002AEU | PYRS1002AEU |
| 🌱 B0RS1004 | PIRS1004AEU | PYRS1004AEU |
| 🌱 B0RS1006 | PIRS1006AEU | PYRS1006AEU |
| 🌱 B0RS1008 | PIRS1008AEU | PYRS1008AEU |
| 🌱 B0RS1202 | PIRS1202AEU | PYRS1202AEU |
| 🌱 B0RS1204 | PIRS1204AEU | PYRS1204AEU |
| 🌱 B0RS1206 | PIRS1206AEU | PYRS1206AEU |
| 🌱 B0RS1208 | PIRS1208AEU | PYRS1208AEU |
| 🌱 B0RS1210 | PIRS1210AEU | PYRS1210AEU |

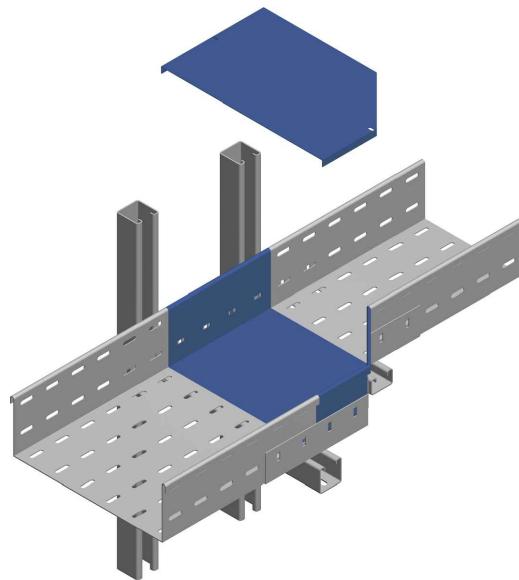
COPERCHIO | COVER

| Descr. | h | W | w | L | Th |
|------------------|----|-----|-----|-----|----|
| PFLR-CRS-200/100 | 12 | 200 | 100 | 200 | 1 |
| PFLR-CRS-300/100 | 12 | 300 | 100 | 300 | 1 |
| PFLR-CRS-300/200 | 12 | 300 | 200 | 200 | 1 |
| PFLR-CRS-400/100 | 12 | 400 | 100 | 400 | 1 |
| PFLR-CRS-400/200 | 12 | 400 | 200 | 300 | 1 |
| PFLR-CRS-400/300 | 12 | 400 | 300 | 200 | 1 |
| PFLR-CRS-500/100 | 12 | 500 | 100 | 500 | 1 |
| PFLR-CRS-500/200 | 12 | 500 | 200 | 400 | 1 |
| PFLR-CRS-500/300 | 12 | 500 | 300 | 300 | 1 |
| PFLR-CRS-500/400 | 12 | 500 | 400 | 200 | 1 |
| PFLR-CRS-600/100 | 12 | 600 | 100 | 600 | 1 |
| PFLR-CRS-600/200 | 12 | 600 | 200 | 500 | 1 |
| PFLR-CRS-600/300 | 12 | 600 | 300 | 400 | 1 |
| PFLR-CRS-600/400 | 12 | 600 | 400 | 300 | 1 |
| PFLR-CRS-600/500 | 12 | 600 | 500 | 200 | 1 |

CODICE | CODE

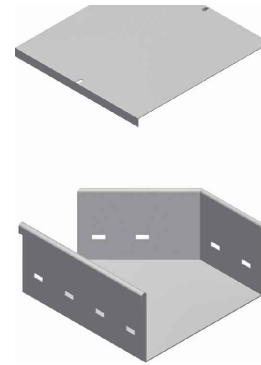
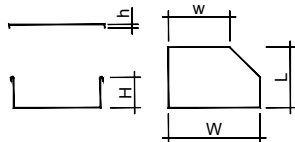
| HDG | AISI 304 | AISI 316 |
|----------|-------------|-------------|
| H0RS0402 | CIRS0402AFQ | CYRS0402AFQ |
| H0RS0602 | CIRS0602AFQ | CYRS0602AFQ |
| H0RS0604 | CIRS0604AFQ | CYRS0604AFQ |
| H0RS0802 | CIRS0802AFQ | CYRS0802AFQ |
| H0RS0804 | CIRS0804AFQ | CYRS0804AFQ |
| H0RS0806 | CIRS0806AFQ | CYRS0806AFQ |
| H0RS1002 | CIRS1002AFQ | CYRS1002AFQ |
| H0RS1004 | CIRS1004AFQ | CYRS1004AFQ |
| H0RS1006 | CIRS1006AFQ | CYRS1006AFQ |
| H0RS1008 | CIRS1008AFQ | CYRS1008AFQ |
| H0RS1202 | CIRS1202AFQ | CYRS1202AFQ |
| H0RS1204 | CIRS1204AFQ | CYRS1204AFQ |
| H0RS1206 | CIRS1206AFQ | CYRS1206AFQ |
| H0RS1208 | CIRS1208AFQ | CYRS1208AFQ |
| H0RS1210 | CIRS1210AFQ | CYRS1210AFQ |

A Richiesta. Materiale: Alluminio - Finitura: Verniciatura - Altezza (H): 50+150 mm - Spessore (Th): 1,0 - 1,2 - 1,5 - 2 mm.
 On request. Material: Aluminium - Finish: Paint job - Height (H): 50+150 mm - Thickness (Th): 1,0 - 1,2 - 1,5 - 2 mm.



[riduzione sinistra | left reduction]

23



ELEMENTO | ELEMENT

| Descr. | H | W | w | L | Th |
|--------------------|-----|-----|-----|-----|-----|
| PFLR100-RS-200/100 | 100 | 200 | 100 | 200 | 1,5 |
| PFLR100-RS-300/100 | 100 | 300 | 100 | 300 | 1,5 |
| PFLR100-RS-300/200 | 100 | 300 | 200 | 200 | 1,5 |
| PFLR100-RS-400/100 | 100 | 400 | 100 | 400 | 1,5 |
| PFLR100-RS-400/200 | 100 | 400 | 200 | 300 | 1,5 |
| PFLR100-RS-400/300 | 100 | 400 | 300 | 200 | 1,5 |
| PFLR100-RS-500/100 | 100 | 500 | 100 | 500 | 1,5 |
| PFLR100-RS-500/200 | 100 | 500 | 200 | 400 | 1,5 |
| PFLR100-RS-500/300 | 100 | 500 | 300 | 300 | 1,5 |
| PFLR100-RS-500/400 | 100 | 500 | 400 | 200 | 1,5 |
| PFLR100-RS-600/100 | 100 | 600 | 100 | 600 | 1,5 |
| PFLR100-RS-600/200 | 100 | 600 | 200 | 500 | 1,5 |
| PFLR100-RS-600/300 | 100 | 600 | 300 | 400 | 1,5 |
| PFLR100-RS-600/400 | 100 | 600 | 400 | 300 | 1,5 |
| PFLR100-RS-600/500 | 100 | 600 | 500 | 200 | 1,5 |
| PFLR100-RS-200/100 | 100 | 200 | 100 | 200 | 2 |
| PFLR100-RS-300/100 | 100 | 300 | 100 | 300 | 2 |
| PFLR100-RS-300/200 | 100 | 300 | 200 | 200 | 2 |
| PFLR100-RS-400/100 | 100 | 400 | 100 | 400 | 2 |
| PFLR100-RS-400/200 | 100 | 400 | 200 | 300 | 2 |
| PFLR100-RS-400/300 | 100 | 400 | 300 | 200 | 2 |
| PFLR100-RS-500/100 | 100 | 500 | 100 | 500 | 2 |
| PFLR100-RS-500/200 | 100 | 500 | 200 | 400 | 2 |
| PFLR100-RS-500/300 | 100 | 500 | 300 | 300 | 2 |
| PFLR100-RS-500/400 | 100 | 500 | 400 | 200 | 2 |
| PFLR100-RS-600/100 | 100 | 600 | 100 | 600 | 2 |
| PFLR100-RS-600/200 | 100 | 600 | 200 | 500 | 2 |
| PFLR100-RS-600/300 | 100 | 600 | 300 | 400 | 2 |
| PFLR100-RS-600/400 | 100 | 600 | 400 | 300 | 2 |
| PFLR100-RS-600/500 | 100 | 600 | 500 | 200 | 2 |

CODICE | CODE

| HDG | AISI 304 | AISI 316 |
|-------------|-------------|-------------|
| 🔩 C0RS0402 | PIRS0402AEQ | PYRS0402AEQ |
| 🔩 C0RS0602 | PIRS0602AEQ | PYRS0602AEQ |
| 🔩 C0RS0604 | PIRS0604AEQ | PYRS0604AEQ |
| 🔩 C0RS0802 | PIRS0802AEQ | PYRS0802AEQ |
| 🔩 C0RS0804 | PIRS0804AEQ | PYRS0804AEQ |
| 🔩 C0RS0806 | PIRS0806AEQ | PYRS0806AEQ |
| 🔩 C0RS1002 | PIRS1002AEQ | PYRS1002AEQ |
| 🔩 C0RS1004 | PIRS1004AEQ | PYRS1004AEQ |
| 🔩 C0RS1006 | PIRS1006AEQ | PYRS1006AEQ |
| 🔩 C0RS1008 | PIRS1008AEQ | PYRS1008AEQ |
| 🔩 C0RS1202 | PIRS1202AEQ | PYRS1202AEQ |
| 🔩 C0RS1204 | PIRS1204AEQ | PYRS1204AEQ |
| 🔩 C0RS1206 | PIRS1206AEQ | PYRS1206AEQ |
| 🔩 C0RS1208 | PIRS1208AEQ | PYRS1208AEQ |
| 🔩 C0RS1210 | PIRS1210AEQ | PYRS1210AEQ |
| PZRS0402AQQ | PIRS0402AQQ | PYRS0402AQQ |
| PZRS0602AQQ | PIRS0602AQQ | PYRS0602AQQ |
| PZRS0604AQQ | PIRS0604AQQ | PYRS0604AQQ |
| PZRS0802AQQ | PIRS0802AQQ | PYRS0802AQQ |
| PZRS0804AQQ | PIRS0804AQQ | PYRS0804AQQ |
| PZRS0806AQQ | PIRS0806AQQ | PYRS0806AQQ |
| PZRS1002AQQ | PIRS1002AQQ | PYRS1002AQQ |
| PZRS1004AQQ | PIRS1004AQQ | PYRS1004AQQ |
| PZRS1006AQQ | PIRS1006AQQ | PYRS1006AQQ |
| PZRS1008AQQ | PIRS1008AQQ | PYRS1008AQQ |
| PZRS1202AQQ | PIRS1202AQQ | PYRS1202AQQ |
| PZRS1204AQQ | PIRS1204AQQ | PYRS1204AQQ |
| PZRS1206AQQ | PIRS1206AQQ | PYRS1206AQQ |
| PZRS1208AQQ | PIRS1208AQQ | PYRS1208AQQ |
| PZRS1210AQQ | PIRS1210AQQ | PYRS1210AQQ |

COPERCHIO | COVER

| Descr. | h | W | w | L | Th |
|------------------|----|-----|-----|-----|----|
| PFLR-CRS-200/100 | 12 | 200 | 100 | 200 | 1 |
| PFLR-CRS-300/100 | 12 | 300 | 100 | 300 | 1 |
| PFLR-CRS-300/200 | 12 | 300 | 200 | 200 | 1 |
| PFLR-CRS-400/100 | 12 | 400 | 100 | 400 | 1 |
| PFLR-CRS-400/200 | 12 | 400 | 200 | 300 | 1 |
| PFLR-CRS-400/300 | 12 | 400 | 300 | 200 | 1 |
| PFLR-CRS-500/100 | 12 | 500 | 100 | 500 | 1 |
| PFLR-CRS-500/200 | 12 | 500 | 200 | 400 | 1 |
| PFLR-CRS-500/300 | 12 | 500 | 300 | 300 | 1 |
| PFLR-CRS-500/400 | 12 | 500 | 400 | 200 | 1 |
| PFLR-CRS-600/100 | 12 | 600 | 100 | 600 | 1 |
| PFLR-CRS-600/200 | 12 | 600 | 200 | 500 | 1 |
| PFLR-CRS-600/300 | 12 | 600 | 300 | 400 | 1 |
| PFLR-CRS-600/400 | 12 | 600 | 400 | 300 | 1 |
| PFLR-CRS-600/500 | 12 | 600 | 500 | 200 | 1 |

CODICE | CODE

| HDG | AISI 304 | AISI 316 |
|----------|-------------|-------------|
| H0RS0402 | CIRS0402AFQ | CYRS0402AFQ |
| H0RS0602 | CIRS0602AFQ | CYRS0602AFQ |
| H0RS0604 | CIRS0604AFQ | CYRS0604AFQ |
| H0RS0802 | CIRS0802AFQ | CYRS0802AFQ |
| H0RS0804 | CIRS0804AFQ | CYRS0804AFQ |
| H0RS0806 | CIRS0806AFQ | CYRS0806AFQ |
| H0RS1002 | CIRS1002AFQ | CYRS1002AFQ |
| H0RS1004 | CIRS1004AFQ | CYRS1004AFQ |
| H0RS1006 | CIRS1006AFQ | CYRS1006AFQ |
| H0RS1008 | CIRS1008AFQ | CYRS1008AFQ |
| H0RS1202 | CIRS1202AFQ | CYRS1202AFQ |
| H0RS1204 | CIRS1204AFQ | CYRS1204AFQ |
| H0RS1206 | CIRS1206AFQ | CYRS1206AFQ |
| H0RS1208 | CIRS1208AFQ | CYRS1208AFQ |
| H0RS1210 | CIRS1210AFQ | CYRS1210AFQ |

A Richiesta. Materiale: Alluminio - Finitura: Verniciatura - Altezza (H): 50+150 mm - Spessore (Th): 1,0 - 1,2 - 1,5 - 2 mm.
 On request. Material: Aluminium - Finish: Paint job - Height (H): 50+150 mm - Thickness (Th): 1,0 - 1,2 - 1,5 - 2 mm.