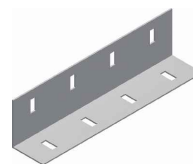
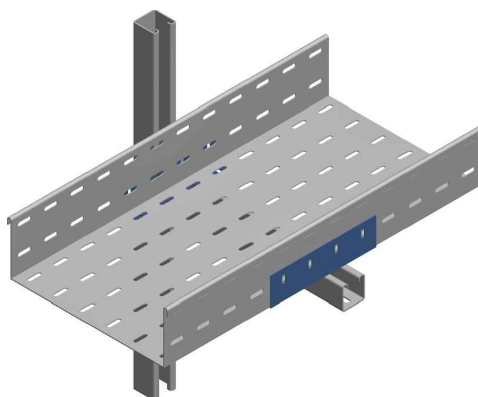
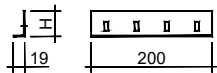


[giunto normale | normal joint]



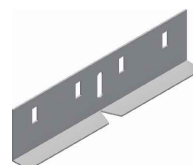
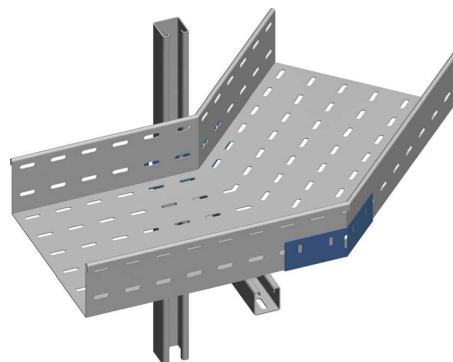
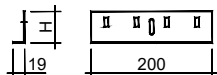
ELEMENTO | ELEMENT

CODICE | CODE

Descr.	H	Th	HDG	AISI 304	AISI 316
PFLR-GN	52	1,5	B0GN0000	AIGN0000AFK	AYGN0000AFK
PFLR-GN	52	2	AZGN0000AOA	AIGN0000AOA	AYGN0000AOA

A Richiesta. Materiale: Alluminio - Finitura: Verniciatura - Spessore (Th): 1,0 - 1,2 - 1,5 - 2 mm. On request. Material: Aluminium - Finish: Paint job - Thickness (Th): 1,0 - 1,2 - 1,5 - 2 mm.

[giunto adattabile orizzontale | adjustable horizontal joint]



ELEMENTO | ELEMENT

CODICE | CODE

Descr.	H	Th	HDG	AISI 304	AISI 316
PFLR-GAO	52	1,5	B0GA0000	AIGA0000AFK	AYGA0000AFK
PFLR-GAO	52	2	AZGA0000AOA	AIGA0000AOA	AYGA0000AOA

A Richiesta. Materiale: Alluminio - Finitura: Verniciatura - Spessore (Th): 1,0 - 1,2 - 1,5 - 2 mm. On request. Material: Aluminium - Finish: Paint job - Thickness (Th): 1,0 - 1,2 - 1,5 - 2 mm.