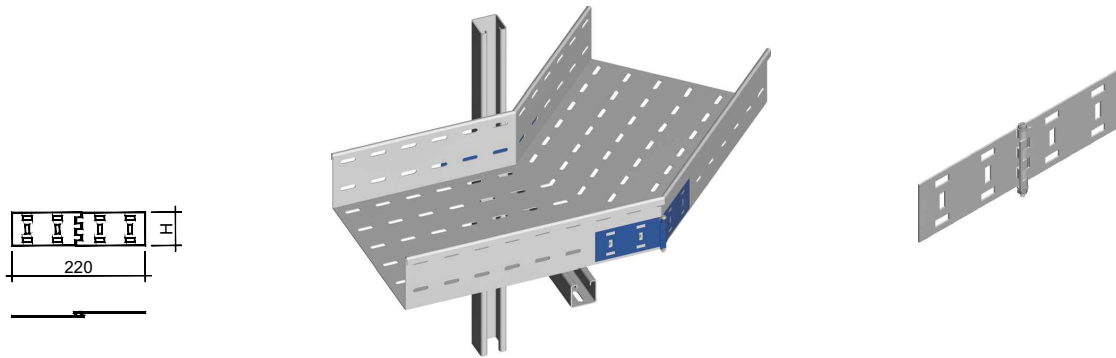


[giunto snodo orizzontale | horizontal hinged joint]



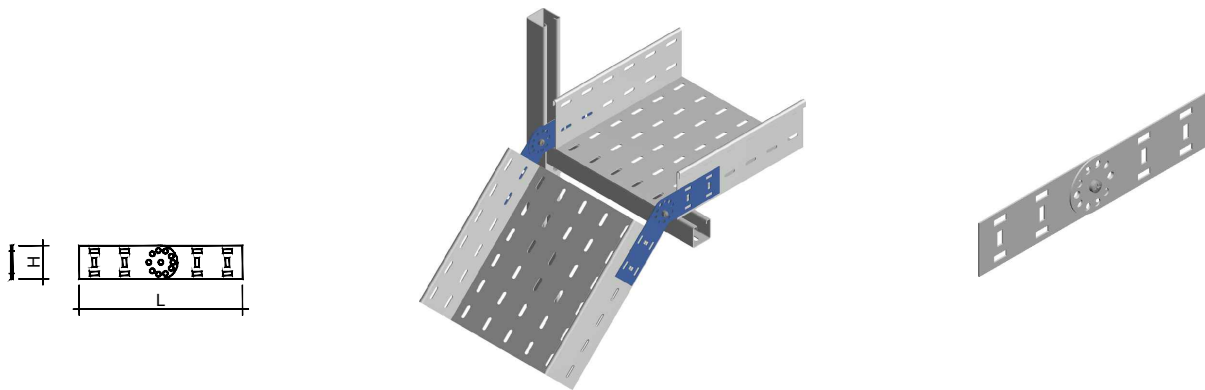
ELEMENTO | ELEMENT

CODICE | CODE

Descr.	H	Th	HDG	AISI 304	AISI 316
PFLR-GSO	55	1,5	AEGO0000	AIGO0000ADX	AYGO0000ADX
PFLR-GSO	55	2	AZGO0000AND	AIGO0000AND	AYGO0000AND

A Richiesta. Materiale: Alluminio - Finitura: Verniciatura - Spessore (Th): 1,0 - 1,2 - 1,5 - 2 mm. **On request.** Material: Aluminium - Finish: Paint job - Thickness (Th): 1,0 - 1,2 - 1,5 - 2 mm.

[giunto snodo verticale | vertical hinged joint]



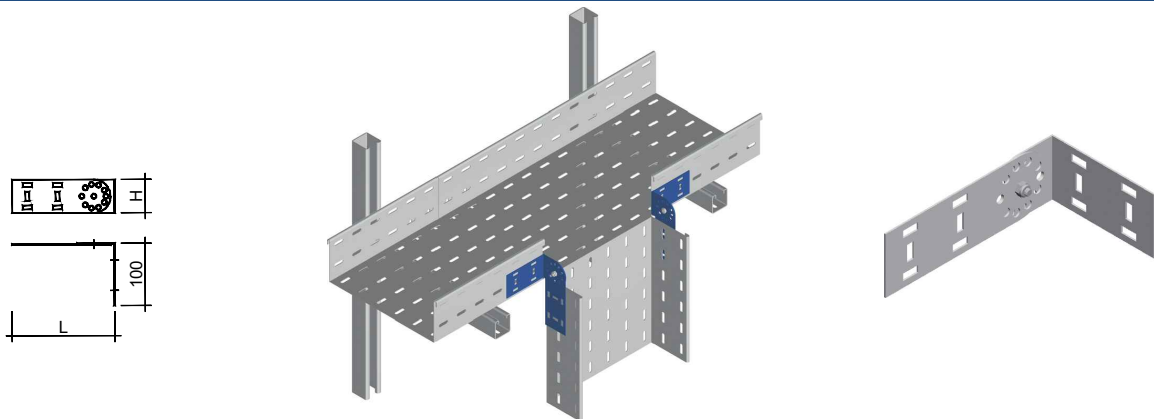
ELEMENTO | ELEMENT

CODICE | CODE

Descr.	H	Th	HDG	AISI 304	AISI 316
PFLR-GSV	55	1,5	AEGV0000	AIGV0000ADX	AYGV0000ADX
PFLR-GSV	55	2	AZGV0000AND	AIGV0000AND	AYGV0000AND

A Richiesta. Materiale: Alluminio - Finitura: Verniciatura - Spessore (Th): 1,0 - 1,2 - 1,5 - 2 mm. **On request.** Material: Aluminium - Finish: Paint job - Thickness (Th): 1,0 - 1,2 - 1,5 - 2 mm.

[giunto attacco laterale | lateral connection joint]



ELEMENTO | ELEMENT

CODICE | CODE

Descr.	H	L	Th	HDG	AISI 304	AISI 316
PFLR-GAL	55	170	1,5	AEAL0000	AIAL0000ADX	AYAL0000ADX
PFLR-GAL	55	215	2	AZAL0000AND	AIAL0000AND	AYAL0000AND

A Richiesta. Materiale: Alluminio - Finitura: Verniciatura - Spessore (Th): 1,0 - 1,2 - 1,5 - 2 mm. **On request.** Material: Aluminium - Finish: Paint job - Thickness (Th): 1,0 - 1,2 - 1,5 - 2 mm.