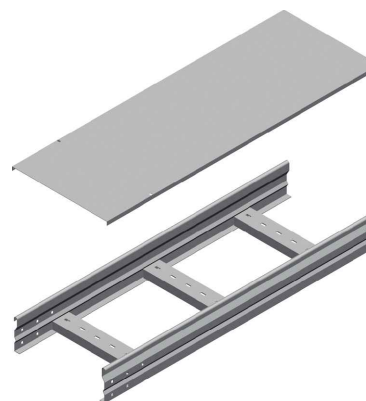
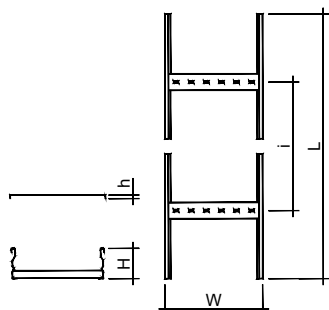


[ elemento rettilineo | straight element ]



ELEMENTO | ELEMENT

Descr.	H	W	L	i	Th
PTR100-DR-100	100	100	3000	300	1,2
PTR100-DR-200	100	200	3000	300	1,2
PTR100-DR-300	100	300	3000	300	1,2
PTR100-DR-400	100	400	3000	300	1,2
PTR100-DR-500	100	500	3000	300	1,2
PTR100-DR-600	100	600	3000	300	1,2
PTR100-DR-100	100	100	3000	300	1,5
PTR100-DR-200	100	200	3000	300	1,5
PTR100-DR-300	100	300	3000	300	1,5
PTR100-DR-400	100	400	3000	300	1,5
PTR100-DR-500	100	500	3000	300	1,5
PTR100-DR-600	100	600	3000	300	1,5
PTR150-DR-200	150	200	3000	300	1,5
PTR150-DR-300	150	300	3000	300	1,5
PTR150-DR-400	150	400	3000	300	1,5
PTR150-DR-500	150	500	3000	300	1,5
PTR150-DR-600	150	600	3000	300	1,5
PTR150-DR-800	150	800	3000	300	1,5
PTR150-DR-200	150	200	3000	300	2
PTR150-DR-300	150	300	3000	300	2
PTR150-DR-400	150	400	3000	300	2
PTR150-DR-500	150	500	3000	300	2
PTR150-DR-600	150	600	3000	300	2
PTR150-DR-800	150	800	3000	300	2

CODICE | CODE

HDG	AISI 304	AISI 316
N0DR3002	PIDR3002AJT	PYDR3002AJT
N0DR3004	PIDR3004AJT	PYDR3004AJT
N0DR3006	PIDR3006AJT	PYDR3006AJT
N0DR3008	PIDR3008AJT	PYDR3008AJT
N0DR3010	PIDR3010AJT	PYDR3010AJT
N0DR3012	PIDR3012AJT	PYDR3012AJT
A0DR3002	PIDR3002AJF	PYDR3002AJF
A0DR3004	PIDR3004AJF	PYDR3004AJF
A0DR3006	PIDR3006AJF	PYDR3006AJF
A0DR3008	PIDR3008AJF	PYDR3008AJF
A0DR3010	PIDR3010AJF	PYDR3010AJF
A0DR3012	PIDR3012AJF	PYDR3012AJF
PZDR3004AJD	PIDR3004AJD	PYDR3004AJD
PZDR3006AJD	PIDR3006AJD	PYDR3006AJD
PZDR3008AJD	PIDR3008AJD	PYDR3008AJD
PZDR3010AJD	PIDR3010AJD	PYDR3010AJD
PZDR3012AJD	PIDR3012AJD	PYDR3012AJD
PZDR3016AJD	PIDR3016AJD	PYDR3016AJD
PZDR3004ALK	PIDR3004ALK	PYDR3004ALK
PZDR3006ALK	PIDR3006ALK	PYDR3006ALK
PZDR3008ALK	PIDR3008ALK	PYDR3008ALK
PZDR3010ALK	PIDR3010ALK	PYDR3010ALK
PZDR3012ALK	PIDR3012ALK	PYDR3012ALK
PZDR3016ALK	PIDR3016ALK	PYDR3016ALK

COPERCHIO | COVER

Descr.	h	W	L	Th
CDR-100	12	100	2000	1
CDR-200	12	200	2000	1
CDR-300	12	300	2000	1
CDR-400	12	400	2000	1
CDR-500	12	500	2000	1
CDR-600	12	600	2000	1
CDR-800	12	800	2000	1

CODICE | CODE

HDG	AISI 304	AISI 316
G0DR2002	CIDR2002ACS	CYDR2002ACS
G0DR2004	CIDR2004ACS	CYDR2004ACS
G0DR2006	CIDR2006ACS	CYDR2006ACS
G0DR2008	CIDR2008ACS	CYDR2008ACS
G0DR2010	CIDR2010ACS	CYDR2010ACS
G0DR2012	CIDR2012ACS	CYDR2012ACS
CZDR2016ACS	CIDR2016ACS	CYDR2016ACS

A Richiesta. Materiale: Alluminio - Finitura: Verniciatura - Altezza (H): 125, 185, 200 mm - Lunghezza (L): fino a 6000 mm - Spessore (Th): 1,2 - 1,5 - 2 mm - Interasse (i): <300mm.  
 On request, Material: Aluminium - Finish: Paint job - Height (H): 125, 185, 200 mm - Length (L): Until 6000 mm - Thickness (Th): 1,2 - 1,5 - 2 mm - Rungs pitch (i): <300mm