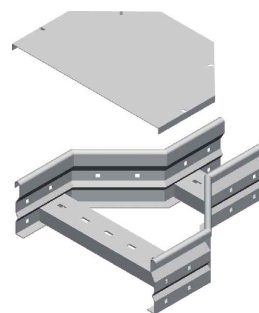
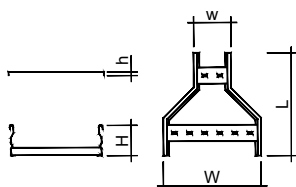


[riduzione centrale | central reduction]



ELEMENTO | ELEMENT

Descr.	H	W	w	L	Th
PTR100-RC-200/100	100	200	100	290	1,2
PTR100-RC-300/100	100	300	100	340	1,2
PTR100-RC-300/200	100	300	200	290	1,2
PTR100-RC-400/100	100	400	100	390	1,2
PTR100-RC-400/200	100	400	200	340	1,2
PTR100-RC-400/300	100	400	300	290	1,2
PTR100-RC-500/100	100	500	100	440	1,2
PTR100-RC-500/200	100	500	200	390	1,2
PTR100-RC-500/300	100	500	300	340	1,2
PTR100-RC-500/400	100	500	400	290	1,2
PTR100-RC-600/100	100	600	100	490	1,2
PTR100-RC-600/200	100	600	200	440	1,2
PTR100-RC-600/300	100	600	300	390	1,2
PTR100-RC-600/400	100	600	400	340	1,2
PTR100-RC-600/500	100	600	500	290	1,2
PTR100-RC-200/100	100	200	100	290	1,5
PTR100-RC-300/100	100	300	100	340	1,5
PTR100-RC-300/200	100	300	200	290	1,5
PTR100-RC-400/100	100	400	100	390	1,5
PTR100-RC-400/200	100	400	200	340	1,5
PTR100-RC-400/300	100	400	300	290	1,5
PTR100-RC-500/100	100	500	100	440	1,5
PTR100-RC-500/200	100	500	200	390	1,5
PTR100-RC-500/300	100	500	300	340	1,5
PTR100-RC-500/400	100	500	400	290	1,5
PTR100-RC-600/100	100	600	100	490	1,5
PTR100-RC-600/200	100	600	200	440	1,5
PTR100-RC-600/300	100	600	300	390	1,5
PTR100-RC-600/400	100	600	400	340	1,5
PTR100-RC-600/500	100	600	500	290	1,5

CODICE | CODE

HDG	AISI 304	AISI 316
🌱 N0RC0402	PIRC0402AJU	PYRC0402AJU
🌱 N0RC0602	PIRC0602AJU	PYRC0602AJU
🌱 N0RC0604	PIRC0604AJU	PYRC0604AJU
🌱 N0RC0802	PIRC0802AJU	PYRC0802AJU
🌱 N0RC0804	PIRC0804AJU	PYRC0804AJU
🌱 N0RC0806	PIRC0806AJU	PYRC0806AJU
🌱 N0RC1002	PIRC1002AJU	PYRC1002AJU
🌱 N0RC1004	PIRC1004AJU	PYRC1004AJU
🌱 N0RC1006	PIRC1006AJU	PYRC1006AJU
🌱 N0RC1008	PIRC1008AJU	PYRC1008AJU
🌱 N0RC1202	PIRC1202AJU	PYRC1202AJU
🌱 N0RC1204	PIRC1204AJU	PYRC1204AJU
🌱 N0RC1206	PIRC1206AJU	PYRC1206AJU
🌱 N0RC1208	PIRC1208AJU	PYRC1208AJU
🌱 N0RC1210	PIRC1210AJU	PYRC1210AJU
🌱 A0RC0402	PIRC0402AJX	PYRC0402AJX
🌱 A0RC0602	PIRC0602AJX	PYRC0602AJX
🌱 A0RC0604	PIRC0604AJX	PYRC0604AJX
🌱 A0RC0802	PIRC0802AJX	PYRC0802AJX
🌱 A0RC0804	PIRC0804AJX	PYRC0804AJX
🌱 A0RC0806	PIRC0806AJX	PYRC0806AJX
🌱 A0RC1002	PIRC1002AJX	PYRC1002AJX
🌱 A0RC1004	PIRC1004AJX	PYRC1004AJX
🌱 A0RC1006	PIRC1006AJX	PYRC1006AJX
🌱 A0RC1008	PIRC1008AJX	PYRC1008AJX
🌱 A0RC1202	PIRC1202AJX	PYRC1202AJX
🌱 A0RC1204	PIRC1204AJX	PYRC1204AJX
🌱 A0RC1206	PIRC1206AJX	PYRC1206AJX
🌱 A0RC1208	PIRC1208AJX	PYRC1208AJX
🌱 A0RC1210	PIRC1210AJX	PYRC1210AJX

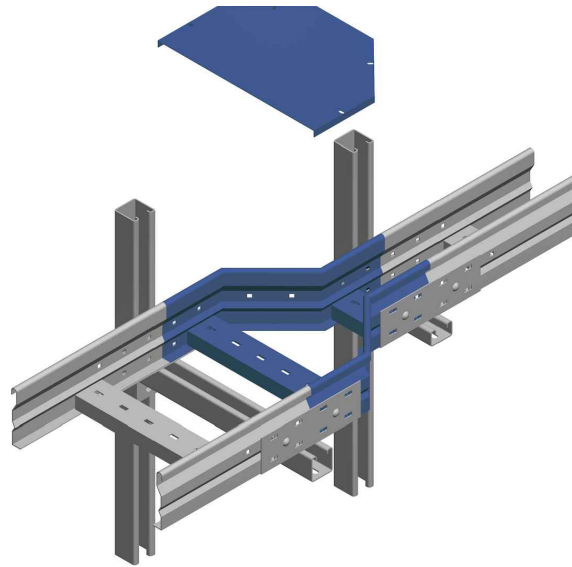
COPERCHIO | COVER

Descr.	h	W	w	L	Th
PTR-CRC-200/100	12	200	100	170	1
PTR-CRC-300/100	12	300	100	220	1
PTR-CRC-300/200	12	300	200	170	1
PTR-CRC-400/100	12	400	100	270	1
PTR-CRC-400/200	12	400	200	220	1
PTR-CRC-400/300	12	400	300	170	1
PTR-CRC-500/100	12	500	100	320	1
PTR-CRC-500/200	12	500	200	270	1
PTR-CRC-500/300	12	500	300	220	1
PTR-CRC-500/400	12	500	400	170	1
PTR-CRC-600/100	12	600	100	370	1
PTR-CRC-600/200	12	600	200	320	1
PTR-CRC-600/300	12	600	300	270	1
PTR-CRC-600/400	12	600	400	220	1
PTR-CRC-600/500	12	600	500	170	1

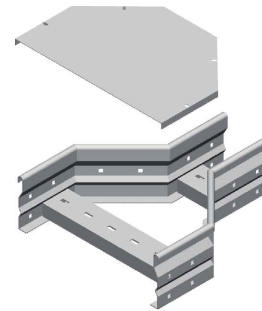
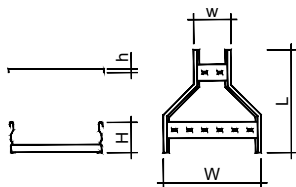
CODICE | CODE

HDG	AISI 304	AISI 316
G0RC0402	CIRC0402AFL	CYRC0402AFL
G0RC0602	CIRC0602AFL	CYRC0602AFL
G0RC0604	CIRC0604AFL	CYRC0604AFL
G0RC0802	CIRC0802AFL	CYRC0802AFL
G0RC0804	CIRC0804AFL	CYRC0804AFL
G0RC0806	CIRC0806AFL	CYRC0806AFL
G0RC1002	CIRC1002AFL	CYRC1002AFL
G0RC1004	CIRC1004AFL	CYRC1004AFL
G0RC1006	CIRC1006AFL	CYRC1006AFL
G0RC1008	CIRC1008AFL	CYRC1008AFL
G0RC1202	CIRC1202AFL	CYRC1202AFL
G0RC1204	CIRC1204AFL	CYRC1204AFL
G0RC1206	CIRC1206AFL	CYRC1206AFL
G0RC1208	CIRC1208AFL	CYRC1208AFL
G0RC1210	CIRC1210AFL	CYRC1210AFL

A Richiesta. Materiale: Alluminio - Finitura: Verniciatura - Altezza (H): 125, 185, 200 mm - Spessore (Th): 1,2 - 1,5 - 2 mm - Interasse (i): <300mm.
 On request. Material: Aluminium - Finish: Paint job - Height (H): 125, 185, 200 mm - Thickness (Th): 1,2 - 1,5 - 2 mm - Rungs pitch (i): <300mm.



[riduzione centrale | central reduction]



ELEMENTO | ELEMENT

Descr.	H	W	w	L	Th
PTR150-RC-300/200	150	300	200	290	1,5
PTR150-RC-400/200	150	400	200	340	1,5
PTR150-RC-400/300	150	400	300	290	1,5
PTR150-RC-500/200	150	500	200	390	1,5
PTR150-RC-500/300	150	500	300	340	1,5
PTR150-RC-500/400	150	500	400	290	1,5
PTR150-RC-600/200	150	600	200	440	1,5
PTR150-RC-600/300	150	600	300	390	1,5
PTR150-RC-600/400	150	600	400	340	1,5
PTR150-RC-600/500	150	600	500	290	1,5
PTR150-RC-800/200	150	800	200	540	1,5
PTR150-RC-800/300	150	800	300	490	1,5
PTR150-RC-800/400	150	800	400	440	1,5
PTR150-RC-800/500	150	800	500	390	1,5
PTR150-RC-800/600	150	800	600	340	1,5
PTR150-RC-300/200	150	300	200	290	2
PTR150-RC-400/200	150	400	200	340	2
PTR150-RC-400/300	150	400	300	290	2
PTR150-RC-500/200	150	500	200	390	2
PTR150-RC-500/300	150	500	300	340	2
PTR150-RC-500/400	150	500	400	290	2
PTR150-RC-600/200	150	600	200	440	2
PTR150-RC-600/300	150	600	300	390	2
PTR150-RC-600/400	150	600	400	340	2
PTR150-RC-600/500	150	600	500	290	2
PTR150-RC-800/200	150	800	200	540	2
PTR150-RC-800/300	150	800	300	490	2
PTR150-RC-800/400	150	800	400	440	2
PTR150-RC-800/500	150	800	500	390	2
PTR150-RC-800/600	150	800	600	340	2

CODICE | CODE

HDG	AISI 304	AISI 316
PZRC0604ALB	PIRC0604ALB	PYRC0604ALB
PZRC0804ALB	PIRC0804ALB	PYRC0804ALB
PZRC0806ALB	PIRC0806ALB	PYRC0806ALB
PZRC1004ALB	PIRC1004ALB	PYRC1004ALB
PZRC1006ALB	PIRC1006ALB	PYRC1006ALB
PZRC1008ALB	PIRC1008ALB	PYRC1008ALB
PZRC1204ALB	PIRC1204ALB	PYRC1204ALB
PZRC1206ALB	PIRC1206ALB	PYRC1206ALB
PZRC1208ALB	PIRC1208ALB	PYRC1208ALB
PZRC1210ALB	PIRC1210ALB	PYRC1210ALB
PZRC1604ALB	PIRC1604ALB	PYRC1604ALB
PZRC1606ALB	PIRC1606ALB	PYRC1606ALB
PZRC1608ALB	PIRC1608ALB	PYRC1608ALB
PZRC1610ALB	PIRC1610ALB	PYRC1610ALB
PZRC1612ALB	PIRC1612ALB	PYRC1612ALB
PZRC0604ALM	PIRC0604ALM	PYRC0604ALM
PZRC0804ALM	PIRC0804ALM	PYRC0804ALM
PZRC0806ALM	PIRC0806ALM	PYRC0806ALM
PZRC1004ALM	PIRC1004ALM	PYRC1004ALM
PZRC1006ALM	PIRC1006ALM	PYRC1006ALM
PZRC1008ALM	PIRC1008ALM	PYRC1008ALM
PZRC1204ALM	PIRC1204ALM	PYRC1204ALM
PZRC1206ALM	PIRC1206ALM	PYRC1206ALM
PZRC1208ALM	PIRC1208ALM	PYRC1208ALM
PZRC1210ALM	PIRC1210ALM	PYRC1210ALM
PZRC1604ALM	PIRC1604ALM	PYRC1604ALM
PZRC1606ALM	PIRC1606ALM	PYRC1606ALM
PZRC1608ALM	PIRC1608ALM	PYRC1608ALM
PZRC1610ALM	PIRC1610ALM	PYRC1610ALM
PZRC1612ALM	PIRC1612ALM	PYRC1612ALM

COPERCHIO | COVER

Descr.	h	W	w	L	Th
PTR-CRC-300/200	12	300	200	170	1
PTR-CRC-400/200	12	400	200	220	1
PTR-CRC-400/300	12	400	300	170	1
PTR-CRC-500/200	12	500	200	270	1
PTR-CRC-500/300	12	500	300	220	1
PTR-CRC-500/400	12	500	400	170	1
PTR-CRC-600/200	12	600	200	320	1
PTR-CRC-600/300	12	600	300	270	1
PTR-CRC-600/400	12	600	400	220	1
PTR-CRC-600/500	12	600	500	170	1
PTR-CRC-800/200	12	800	200	420	1
PTR-CRC-800/300	12	800	300	370	1
PTR-CRC-800/400	12	800	400	320	1
PTR-CRC-800/500	12	800	500	270	1
PTR-CRC-800/600	12	800	600	220	1

CODICE | CODE

HDG	AISI 304	AISI 316
G0RC0604	CIRC0604AFL	CYRC0604AFL
G0RC0804	CIRC0804AFL	CYRC0804AFL
G0RC0806	CIRC0806AFL	CYRC0806AFL
G0RC1004	CIRC1004AFL	CYRC1004AFL
G0RC1006	CIRC1006AFL	CYRC1006AFL
G0RC1008	CIRC1008AFL	CYRC1008AFL
G0RC1204	CIRC1204AFL	CYRC1204AFL
G0RC1206	CIRC1206AFL	CYRC1206AFL
G0RC1208	CIRC1208AFL	CYRC1208AFL
G0RC1210	CIRC1210AFL	CYRC1210AFL
CZRC1604AEV	CIRC1604AFL	CYRC1604AFL
CZRC1606AEV	CIRC1606AFL	CYRC1606AFL
CZRC1608AEV	CIRC1608AFL	CYRC1608AFL
CZRC1610AEV	CIRC1610AFL	CYRC1610AFL
CZRC1612AEV	CIRC1612AFL	CYRC1612AFL

A Richiesta. Materiale: Alluminio - Finitura: Verniciatura - Altezza (H): 125, 185, 200 mm - Spessore (Th): 1,2 -1,5 - 2 mm - Interasse (i): <300mm.
 On request. Material: Aluminium - Finish: Paint job - Height (H): 125, 185, 200 mm - Thickness (Th): 1,2 - 1,5 - 2 mm - Rungs pitch (i): <300mm.