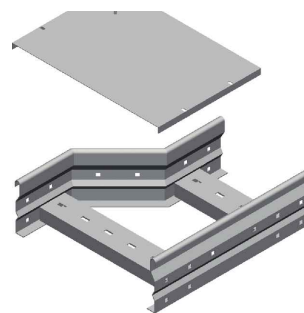
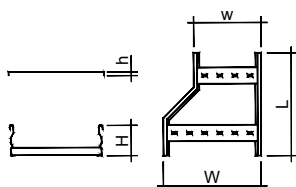


## 20 [ riduzione destra | right reduction ]

PTR



### ELEMENTO | ELEMENT

Descr.	H	W	w	L	Th
PTR100-RD-200/100	100	200	100	340	1,2
PTR100-RD-300/100	100	300	100	440	1,2
PTR100-RD-300/200	100	300	200	340	1,2
PTR100-RD-400/100	100	400	100	540	1,2
PTR100-RD-400/200	100	400	200	440	1,2
PTR100-RD-400/300	100	400	300	340	1,2
PTR100-RD-500/100	100	500	100	640	1,2
PTR100-RD-500/200	100	500	200	540	1,2
PTR100-RD-500/300	100	500	300	440	1,2
PTR100-RD-500/400	100	500	400	740	1,2
PTR100-RD-600/100	100	600	100	640	1,2
PTR100-RD-600/200	100	600	200	540	1,2
PTR100-RD-600/300	100	600	300	440	1,2
PTR100-RD-600/400	100	600	400	340	1,2
PTR100-RD-600/500	100	600	500	340	1,2
PTR100-RD-200/100	100	200	100	340	1,5
PTR100-RD-300/100	100	300	100	440	1,5
PTR100-RD-300/200	100	300	200	340	1,5
PTR100-RD-400/100	100	400	100	540	1,5
PTR100-RD-400/200	100	400	200	440	1,5
PTR100-RD-400/300	100	400	300	340	1,5
PTR100-RD-500/100	100	500	100	640	1,5
PTR100-RD-500/200	100	500	200	540	1,5
PTR100-RD-500/300	100	500	300	440	1,5
PTR100-RD-500/400	100	500	400	340	1,5
PTR100-RD-600/100	100	600	100	740	1,5
PTR100-RD-600/200	100	600	200	640	1,5
PTR100-RD-600/300	100	600	300	540	1,5
PTR100-RD-600/400	100	600	400	440	1,5
PTR100-RD-600/500	100	600	500	340	1,5

### CODICE | CODE

HDG	AISI 304	AISI 316
⊕ N0RD0402	PIRD0402AJU	PYRD0402AJU
⊕ N0RD0602	PIRD0602AJU	PYRD0602AJU
⊕ N0RD0604	PIRD0604AJU	PYRD0604AJU
⊕ N0RD0802	PIRD0802AJU	PYRD0802AJU
⊕ N0RD0804	PIRD0804AJU	PYRD0804AJU
⊕ N0RD0806	PIRD0806AJU	PYRD0806AJU
⊕ N0RD1002	PIRD1002AJU	PYRD1002AJU
⊕ N0RD1004	PIRD1004AJU	PYRD1004AJU
⊕ N0RD1006	PIRD1006AJU	PYRD1006AJU
⊕ N0RD1008	PIRD1008AJU	PYRD1008AJU
⊕ N0RD1202	PIRD1202AJU	PYRD1202AJU
⊕ N0RD1204	PIRD1204AJU	PYRD1204AJU
⊕ N0RD1206	PIRD1206AJU	PYRD1206AJU
⊕ N0RD1208	PIRD1208AJU	PYRD1208AJU
⊕ N0RD1210	PIRD1210AJU	PYRD1210AJU
⊕ A0RD0402	PIRD0402AJX	PYRD0402AJX
⊕ A0RD0602	PIRD0602AJX	PYRD0602AJX
⊕ A0RD0604	PIRD0604AJX	PYRD0604AJX
⊕ A0RD0802	PIRD0802AJX	PYRD0802AJX
⊕ A0RD0804	PIRD0804AJX	PYRD0804AJX
⊕ A0RD0806	PIRD0806AJX	PYRD0806AJX
⊕ A0RD1002	PIRD1002AJX	PYRD1002AJX
⊕ A0RD1004	PIRD1004AJX	PYRD1004AJX
⊕ A0RD1006	PIRD1006AJX	PYRD1006AJX
⊕ A0RD1008	PIRD1008AJX	PYRD1008AJX
⊕ A0RD1202	PIRD1202AJX	PYRD1202AJX
⊕ A0RD1204	PIRD1204AJX	PYRD1204AJX
⊕ A0RD1206	PIRD1206AJX	PYRD1206AJX
⊕ A0RD1208	PIRD1208AJX	PYRD1208AJX
⊕ A0RD1210	PIRD1210AJX	PYRD1210AJX

### COPERCHIO | COVER

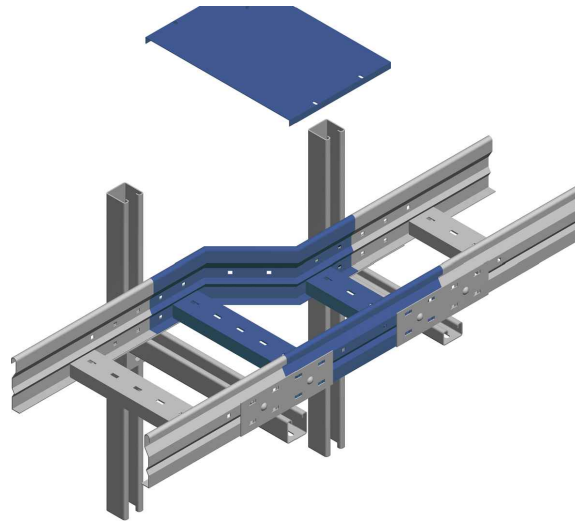
Descr.	h	W	w	L	Th
PTR-CRD-200/100	12	200	100	220	1
PTR-CRD-300/100	12	300	100	320	1
PTR-CRD-300/200	12	300	200	220	1
PTR-CRD-400/100	12	400	100	420	1
PTR-CRD-400/200	12	400	200	320	1
PTR-CRD-400/300	12	400	300	220	1
PTR-CRD-500/100	12	500	100	520	1
PTR-CRD-500/200	12	500	200	420	1
PTR-CRD-500/300	12	500	300	320	1
PTR-CRD-500/400	12	500	400	220	1
PTR-CRD-600/100	12	600	100	620	1
PTR-CRD-600/200	12	600	200	520	1
PTR-CRD-600/300	12	600	300	420	1
PTR-CRD-600/400	12	600	400	320	1
PTR-CRD-600/500	12	600	500	220	1

### CODICE | CODE

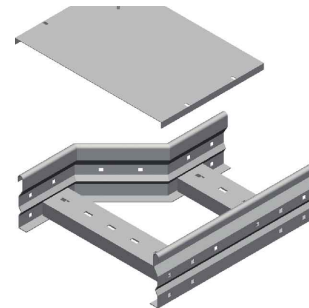
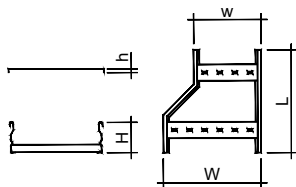
HDG	AISI 304	AISI 316
G0RD0402	CIRD0402AFL	CYRD0402AFL
G0RD0602	CIRD0602AFL	CYRD0602AFL
G0RD0604	CIRD0604AFL	CYRD0604AFL
G0RD0802	CIRD0802AFL	CYRD0802AFL
G0RD0804	CIRD0804AFL	CYRD0804AFL
G0RD0806	CIRD0806AFL	CYRD0806AFL
G0RD1002	CIRD1002AFL	CYRD1002AFL
G0RD1004	CIRD1004AFL	CYRD1004AFL
G0RD1006	CIRD1006AFL	CYRD1006AFL
G0RD1008	CIRD1008AFL	CYRD1008AFL
G0RD1202	CIRD1202AFL	CYRD1202AFL
G0RD1204	CIRD1204AFL	CYRD1204AFL
G0RD1206	CIRD1206AFL	CYRD1206AFL
G0RD1208	CIRD1208AFL	CYRD1208AFL
G0RD1210	CIRD1210AFL	CYRD1210AFL

A Richiesta. Materiale: Alluminio - Finitura: Verniciatura - Altezza (H): 125, 185, 200 mm - Spessore (Th): 1,2 - 1,5 - 2 mm - Interasse (i): <300mm.  
 On request. Material: Aluminium - Finish: Paint job - Height (H): 125, 185, 200 mm - Thickness (Th): 1,2 - 1,5 - 2 mm - Rungs pitch (i): <300mm.

[ riduzione destra | right reduction ]



[ riduzione destra | right reduction ]



ELEMENTO | ELEMENT

Descr.	H	W	w	L	Th
PTR150-RD-300/100	150	300	200	340	1,5
PTR150-RD-400/200	150	400	200	440	1,5
PTR150-RD-400/300	150	400	300	340	1,5
PTR150-RD-500/200	150	500	200	540	1,5
PTR150-RD-500/300	150	500	300	440	1,5
PTR150-RD-500/400	150	500	400	340	1,5
PTR150-RD-600/200	150	600	200	640	1,5
PTR150-RD-600/300	150	600	300	540	1,5
PTR150-RD-600/400	150	600	400	440	1,5
PTR150-RD-600/500	150	600	500	740	1,5
PTR150-RD-800/200	150	800	200	640	1,5
PTR150-RD-800/300	150	800	300	540	1,5
PTR150-RD-800/400	150	800	400	440	1,5
PTR150-RD-800/500	150	800	500	340	1,5
PTR150-RD-800/600	150	800	600	340	1,5
PTR150-RD-300/200	150	300	200	340	2
PTR150-RD-400/200	150	400	200	440	2
PTR150-RD-400/300	150	400	300	340	2
PTR150-RD-500/200	150	500	200	540	2
PTR150-RD-500/300	150	500	300	440	2
PTR150-RD-500/400	150	500	400	340	2
PTR150-RD-600/200	150	600	200	640	2
PTR150-RD-600/300	150	600	300	540	2
PTR150-RD-600/400	150	600	400	440	2
PTR150-RD-600/500	150	600	500	340	2
PTR150-RD-800/200	150	800	200	740	2
PTR150-RD-800/300	150	800	300	640	2
PTR150-RD-800/400	150	800	400	540	2
PTR150-RD-800/500	150	800	500	440	2
PTR150-RD-800/600	150	800	600	340	2

CODICE | CODE

HDG	AISI 304	AISI 316
PZRD0604ALB	PIRD0604ALB	PYRD0604ALB
PZRD0804ALB	PIRD0804ALB	PYRD0804ALB
PZRD0806ALB	PIRD0806ALB	PYRD0806ALB
PZRD1004ALB	PIRD1004ALB	PYRD1004ALB
PZRD1006ALB	PIRD1006ALB	PYRD1006ALB
PZRD1008ALB	PIRD1008ALB	PYRD1008ALB
PZRD1204ALB	PIRD1204ALB	PYRD1204ALB
PZRD1206ALB	PIRD1206ALB	PYRD1206ALB
PZRD1208ALB	PIRD1208ALB	PYRD1208ALB
PZRD1210ALB	PIRD1210ALB	PYRD1210ALB
PZRD1604ALB	PIRD1604ALB	PYRD1604ALB
PZRD1606ALB	PIRD1606ALB	PYRD1606ALB
PZRD1608ALB	PIRD1608ALB	PYRD1608ALB
PZRD1610ALB	PIRD1610ALB	PYRD1610ALB
PZRD1612ALB	PIRD1612ALB	PYRD1612ALB
PZRD0604ALM	PIRD0604ALM	PYRD0604ALM
PZRD0804ALM	PIRD0804ALM	PYRD0804ALM
PZRD0806ALM	PIRD0806ALM	PYRD0806ALM
PZRD1004ALM	PIRD1004ALM	PYRD1004ALM
PZRD1006ALM	PIRD1006ALM	PYRD1006ALM
PZRD1008ALM	PIRD1008ALM	PYRD1008ALM
PZRD1204ALM	PIRD1204ALM	PYRD1204ALM
PZRD1206ALM	PIRD1206ALM	PYRD1206ALM
PZRD1208ALM	PIRD1208ALM	PYRD1208ALM
PZRD1210ALM	PIRD1210ALM	PYRD1210ALM
PZRD1604ALM	PIRD1604ALM	PYRD1604ALM
PZRD1606ALM	PIRD1606ALM	PYRD1606ALM
PZRD1608ALM	PIRD1608ALM	PYRD1608ALM
PZRD1610ALM	PIRD1610ALM	PYRD1610ALM
PZRD1612ALM	PIRD1612ALM	PYRD1612ALM

COPERCHIO | COVER

Descr.	h	W	w	L	Th
PTR-CRD-300/200	12	300	200	220	1
PTR-CRD-400/200	12	400	200	320	1
PTR-CRD-400/300	12	400	300	220	1
PTR-CRD-500/200	12	500	200	420	1
PTR-CRD-500/300	12	500	300	320	1
PTR-CRD-500/400	12	500	400	220	1
PTR-CRD-600/200	12	600	200	520	1
PTR-CRD-600/300	12	600	300	420	1
PTR-CRD-600/400	12	600	400	320	1
PTR-CRD-600/500	12	600	500	220	1
PTR-CRD-800/200	12	800	200	620	1
PTR-CRD-800/300	12	800	300	520	1
PTR-CRD-800/400	12	800	400	420	1
PTR-CRD-800/500	12	800	500	320	1
PTR-CRD-800/600	12	800	600	220	1

CODICE | CODE

HDG	AISI 304	AISI 316
GORD0604	CIRD0604AFL	CYRD0604AFL
GORD0804	CIRD0804AFL	CYRD0804AFL
GORD0806	CIRD0806AFL	CYRD0806AFL
GORD1004	CIRD1004AFL	CYRD1004AFL
GORD1006	CIRD1006AFL	CYRD1006AFL
GORD1008	CIRD1008AFL	CYRD1008AFL
GORD1204	CIRD1204AFL	CYRD1204AFL
GORD1206	CIRD1206AFL	CYRD1206AFL
GORD1208	CIRD1208AFL	CYRD1208AFL
GORD1210	CIRD1210AFL	CYRD1210AFL
CZRD1604AEV	CIRD1604AFL	CYRD1604AFL
CZRD1606AEV	CIRD1606AFL	CYRD1606AFL
CZRD1608AEV	CIRD1608AFL	CYRD1608AFL
CZRD1610AEV	CIRD1610AFL	CYRD1610AFL
CZRD1612AEV	CIRD1612AFL	CYRD1612AFL

A Richiesta. Materiale: Alluminio - Finitura: Verniciatura - Altezza (H): 125, 185, 200 mm - Spessore (Th): 1,2 - 1,5 - 2 mm - Interasse (i): <300mm.  
 On request. Material: Aluminium - Finish: Paint job - Height (H): 125, 185, 200 mm - Thickness (Th): 1,2 - 1,5 - 2 mm - Rungs pitch (i): <300mm.