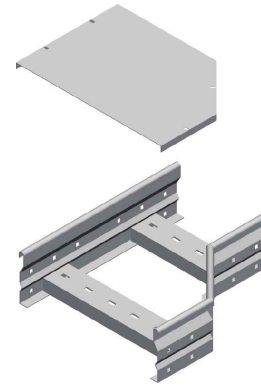
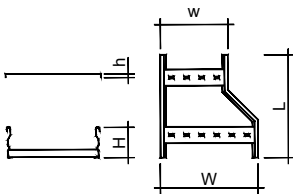


## 22 [ riduzione sinistra | left reduction ]



### ELEMENTO | ELEMENT

Descr.	H	W	w	L	Th
PTR100-RS-200/100	100	200	100	340	1,2
PTR100-RS-300/100	100	300	100	440	1,2
PTR100-RS-300/200	100	300	200	340	1,2
PTR100-RS-400/100	100	400	100	540	1,2
PTR100-RS-400/200	100	400	200	440	1,2
PTR100-RS-400/300	100	400	300	340	1,2
PTR100-RS-500/100	100	500	100	640	1,2
PTR100-RS-500/200	100	500	200	540	1,2
PTR100-RS-500/300	100	500	300	440	1,2
PTR100-RS-500/400	100	500	400	740	1,2
PTR100-RS-600/100	100	600	100	640	1,2
PTR100-RS-600/200	100	600	200	540	1,2
PTR100-RS-600/300	100	600	300	440	1,2
PTR100-RS-600/400	100	600	400	340	1,2
PTR100-RS-600/500	100	600	500	340	1,2
PTR100-RS-200/100	100	200	100	340	1,5
PTR100-RS-300/100	100	300	100	440	1,5
PTR100-RS-300/200	100	300	200	340	1,5
PTR100-RS-400/100	100	400	100	540	1,5
PTR100-RS-400/200	100	400	200	440	1,5
PTR100-RS-400/300	100	400	300	340	1,5
PTR100-RS-500/100	100	500	100	640	1,5
PTR100-RS-500/200	100	500	200	540	1,5
PTR100-RS-500/300	100	500	300	440	1,5
PTR100-RS-500/400	100	500	400	340	1,5
PTR100-RS-600/100	100	600	100	740	1,5
PTR100-RS-600/200	100	600	200	640	1,5
PTR100-RS-600/300	100	600	300	540	1,5
PTR100-RS-600/400	100	600	400	440	1,5
PTR100-RS-600/500	100	600	500	340	1,5

### CODICE | CODE

HDG	AISI 304	AISI 316
🌱 NORS0402	PIRS0402AJU	PYRS0402AJU
🌱 NORS0602	PIRS0602AJU	PYRS0602AJU
🌱 NORS0604	PIRS0604AJU	PYRS0604AJU
🌱 NORS0802	PIRS0802AJU	PYRS0802AJU
🌱 NORS0804	PIRS0804AJU	PYRS0804AJU
🌱 NORS0806	PIRS0806AJU	PYRS0806AJU
🌱 NORS1002	PIRS1002AJU	PYRS1002AJU
🌱 NORS1004	PIRS1004AJU	PYRS1004AJU
🌱 NORS1006	PIRS1006AJU	PYRS1006AJU
🌱 NORS1008	PIRS1008AJU	PYRS1008AJU
🌱 NORS1202	PIRS1202AJU	PYRS1202AJU
🌱 NORS1204	PIRS1204AJU	PYRS1204AJU
🌱 NORS1206	PIRS1206AJU	PYRS1206AJU
🌱 NORS1208	PIRS1208AJU	PYRS1208AJU
🌱 NORS1210	PIRS1210AJU	PYRS1210AJU
🌱 AORS0402	PIRS0402AJX	PYRS0402AJX
🌱 AORS0602	PIRS0602AJX	PYRS0602AJX
🌱 AORS0604	PIRS0604AJX	PYRS0604AJX
🌱 AORS0802	PIRS0802AJX	PYRS0802AJX
🌱 AORS0804	PIRS0804AJX	PYRS0804AJX
🌱 AORS0806	PIRS0806AJX	PYRS0806AJX
🌱 AORS1002	PIRS1002AJX	PYRS1002AJX
🌱 AORS1004	PIRS1004AJX	PYRS1004AJX
🌱 AORS1006	PIRS1006AJX	PYRS1006AJX
🌱 AORS1008	PIRS1008AJX	PYRS1008AJX
🌱 AORS1202	PIRS1202AJX	PYRS1202AJX
🌱 AORS1204	PIRS1204AJX	PYRS1204AJX
🌱 AORS1206	PIRS1206AJX	PYRS1206AJX
🌱 AORS1208	PIRS1208AJX	PYRS1208AJX
🌱 AORS1210	PIRS1210AJX	PYRS1210AJX

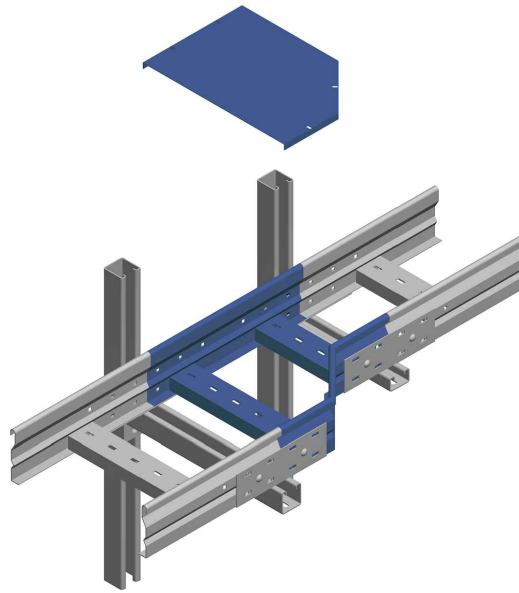
### COPERCHIO | COVER

Descr.	h	W	w	L	Th
PTR-CRS-200/100	12	200	100	220	1
PTR-CRS-300/100	12	300	100	320	1
PTR-CRS-300/200	12	300	200	220	1
PTR-CRS-400/100	12	400	100	420	1
PTR-CRS-400/200	12	400	200	320	1
PTR-CRS-400/300	12	400	300	220	1
PTR-CRS-500/100	12	500	100	520	1
PTR-CRS-500/200	12	500	200	420	1
PTR-CRS-500/300	12	500	300	320	1
PTR-CRS-500/400	12	500	400	220	1
PTR-CRS-600/100	12	600	100	620	1
PTR-CRS-600/200	12	600	200	520	1
PTR-CRS-600/300	12	600	300	420	1
PTR-CRS-600/400	12	600	400	320	1
PTR-CRS-600/500	12	600	500	220	1

### CODICE | CODE

HDG	AISI 304	AISI 316
GORS0402	CIRS0402AFL	CYRS0402AFL
GORS0602	CIRS0602AFL	CYRS0602AFL
GORS0604	CIRS0604AFL	CYRS0604AFL
GORS0802	CIRS0802AFL	CYRS0802AFL
GORS0804	CIRS0804AFL	CYRS0804AFL
GORS0806	CIRS0806AFL	CYRS0806AFL
GORS1002	CIRS1002AFL	CYRS1002AFL
GORS1004	CIRS1004AFL	CYRS1004AFL
GORS1006	CIRS1006AFL	CYRS1006AFL
GORS1008	CIRS1008AFL	CYRS1008AFL
GORS1202	CIRS1202AFL	CYRS1202AFL
GORS1204	CIRS1204AFL	CYRS1204AFL
GORS1206	CIRS1206AFL	CYRS1206AFL
GORS1208	CIRS1208AFL	CYRS1208AFL
GORS1210	CIRS1210AFL	CYRS1210AFL

A Richiesta. Materiale: Alluminio - Finitura: Verniciatura - Altezza (H): 125, 185, 200 mm - Spessore (Th): 1,2 - 1,5 - 2 mm - Interasse (i): <300mm.  
 On request. Material: Aluminium - Finish: Paint job - Height (H): 125, 185, 200 mm - Thickness (Th): 1,2 - 1,5 - 2 mm - Rungs pitch (i): <300mm.

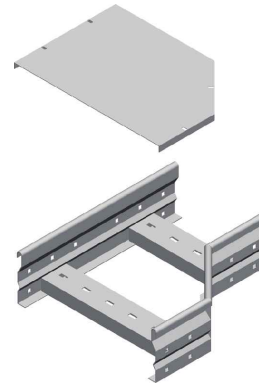
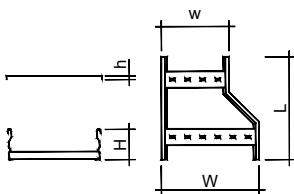


## [ riduzione sinistra | left reduction ]

23

PTR

[ riduzione sinistra | left reduction ]



### ELEMENTO | ELEMENT

### CODICE | CODE

Descr.	H	W	w	L	Th
PTR150-RS-300/100	150	300	200	340	1,5
PTR150-RS-400/200	150	400	200	440	1,5
PTR150-RS-400/300	150	400	300	340	1,5
PTR150-RS-500/200	150	500	200	540	1,5
PTR150-RS-500/300	150	500	300	440	1,5
PTR150-RS-500/400	150	500	400	340	1,5
PTR150-RS-600/200	150	600	200	640	1,5
PTR150-RS-600/300	150	600	300	540	1,5
PTR150-RS-600/400	150	600	400	440	1,5
PTR150-RS-600/500	150	600	500	740	1,5
PTR150-RS-800/200	150	800	200	640	1,5
PTR150-RS-800/300	150	800	300	540	1,5
PTR150-RS-800/400	150	800	400	440	1,5
PTR150-RS-800/500	150	800	500	340	1,5
PTR150-RS-800/600	150	800	600	340	1,5
PTR150-RS-300/200	150	300	200	340	2
PTR150-RS-400/200	150	400	200	440	2
PTR150-RS-400/300	150	400	300	340	2
PTR150-RS-500/200	150	500	200	540	2
PTR150-RS-500/300	150	500	300	440	2
PTR150-RS-500/400	150	500	400	340	2
PTR150-RS-600/200	150	600	200	640	2
PTR150-RS-600/300	150	600	300	540	2
PTR150-RS-600/400	150	600	400	440	2
PTR150-RS-600/500	150	600	500	340	2
PTR150-RS-800/200	150	800	200	740	2
PTR150-RS-800/300	150	800	300	640	2
PTR150-RS-800/400	150	800	400	540	2
PTR150-RS-800/500	150	800	500	440	2
PTR150-RS-800/600	150	800	600	340	2

HDG	AISI 304	AISI 316
PZRS0604ALB	PIRS0604ALB	PYRS0604ALB
PZRS0804ALB	PIRS0804ALB	PYRS0804ALB
PZRS0806ALB	PIRS0806ALB	PYRS0806ALB
PZRS1004ALB	PIRS1004ALB	PYRS1004ALB
PZRS1006ALB	PIRS1006ALB	PYRS1006ALB
PZRS1008ALB	PIRS1008ALB	PYRS1008ALB
PZRS1204ALB	PIRS1204ALB	PYRS1204ALB
PZRS1206ALB	PIRS1206ALB	PYRS1206ALB
PZRS1208ALB	PIRS1208ALB	PYRS1208ALB
PZRS1210ALB	PIRS1210ALB	PYRS1210ALB
PZRS1604ALB	PIRS1604ALB	PYRS1604ALB
PZRS1606ALB	PIRS1606ALB	PYRS1606ALB
PZRS1608ALB	PIRS1608ALB	PYRS1608ALB
PZRS1610ALB	PIRS1610ALB	PYRS1610ALB
PZRS1612ALB	PIRS1612ALB	PYRS1612ALB
PZRS0604ALM	PIRS0604ALM	PYRS0604ALM
PZRS0804ALM	PIRS0804ALM	PYRS0804ALM
PZRS0806ALM	PIRS0806ALM	PYRS0806ALM
PZRS1004ALM	PIRS1004ALM	PYRS1004ALM
PZRS1006ALM	PIRS1006ALM	PYRS1006ALM
PZRS1008ALM	PIRS1008ALM	PYRS1008ALM
PZRS1204ALM	PIRS1204ALM	PYRS1204ALM
PZRS1206ALM	PIRS1206ALM	PYRS1206ALM
PZRS1208ALM	PIRS1208ALM	PYRS1208ALM
PZRS1210ALM	PIRS1210ALM	PYRS1210ALM
PZRS1604ALM	PIRS1604ALM	PYRS1604ALM
PZRS1606ALM	PIRS1606ALM	PYRS1606ALM
PZRS1608ALM	PIRS1608ALM	PYRS1608ALM
PZRS1610ALM	PIRS1610ALM	PYRS1610ALM
PZRS1612ALM	PIRS1612ALM	PYRS1612ALM

### COPERCHIO | COVER

### CODICE | CODE

Descr.	h	W	w	L	Th
PTR-CRS-300/200	12	300	200	220	1
PTR-CRS-400/200	12	400	200	320	1
PTR-CRS-400/300	12	400	300	220	1
PTR-CRS-500/200	12	500	200	420	1
PTR-CRS-500/300	12	500	300	320	1
PTR-CRS-500/400	12	500	400	220	1
PTR-CRS-600/200	12	600	200	520	1
PTR-CRS-600/300	12	600	300	420	1
PTR-CRS-600/400	12	600	400	320	1
PTR-CRS-600/500	12	600	500	220	1
PTR-CRS-800/200	12	800	200	620	1
PTR-CRS-800/300	12	800	300	520	1
PTR-CRS-800/400	12	800	400	420	1
PTR-CRS-800/500	12	800	500	320	1
PTR-CRS-800/600	12	800	600	220	1

HDG	AISI 304	AISI 316
GORS0604	CIRS0604AFL	CYRS0604AFL
GORS0804	CIRS0804AFL	CYRS0804AFL
GORS0806	CIRS0806AFL	CYRS0806AFL
GORS1004	CIRS1004AFL	CYRS1004AFL
GORS1006	CIRS1006AFL	CYRS1006AFL
GORS1008	CIRS1008AFL	CYRS1008AFL
GORS1204	CIRS1204AFL	CYRS1204AFL
GORS1206	CIRS1206AFL	CYRS1206AFL
GORS1208	CIRS1208AFL	CYRS1208AFL
GORS1210	CIRS1210AFL	CYRS1210AFL
CZRS1604AEV	CIRS1604AFL	CYRS1604AFL
CZRS1606AEV	CIRS1606AFL	CYRS1606AFL
CZRS1608AEV	CIRS1608AFL	CYRS1608AFL
CZRS1610AEV	CIRS1610AFL	CYRS1610AFL
CZRS1612AEV	CIRS1612AFL	CYRS1612AFL

A Richiesta. Materiale: Alluminio - Finitura: Verniciatura - Altezza (H): 125, 185, 200 mm - Spessore (Th): 1,2 -1,5 - 2 mm - Interasse (i): <300mm.  
 On request. Material: Aluminium - Finish: Paint job - Height (H): 125, 185, 200 mm - Thickness (Th): 1,2 - 1,5 - 2 mm - Rungs pitch (i): <300mm.