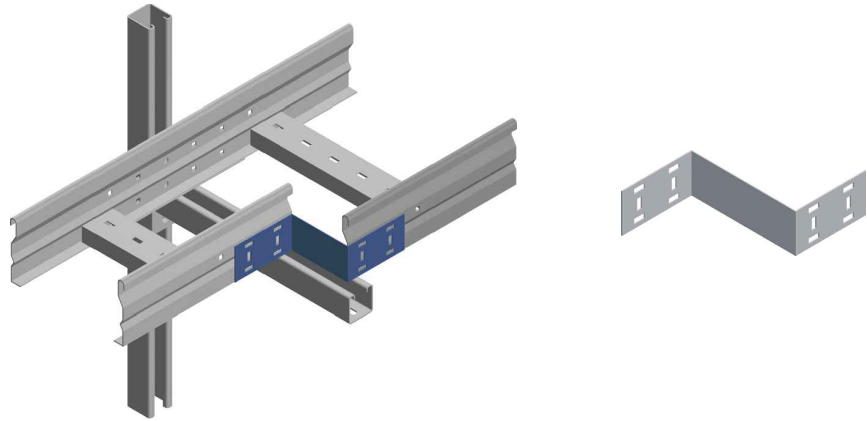
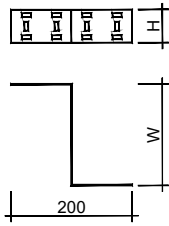


## [ giunto di riduzione | reduction joint ]



### ELEMENTO | ELEMENT

### CODICE | CODE

Descr.	H	W	Th	HDG	AISI 304	AISI 316
PTR100-GR-50	55	50	1,5	A0GR0001	AIGR0001ADX	AYGR0001ADX
PTR100-GR-100	55	100	1,5	A0GR0002	AIGR0002ADX	AYGR0002ADX
PTR100-GR-150	55	150	1,5	A0GR0003	AIGR0003ADX	AYGR0003ADX
PTR100-GR-200	55	200	1,5	A0GR0004	AIGR0004ADX	AYGR0004ADX
PTR100-GR-250	55	250	1,5	A0GR0005	AIGR0005ADX	AYGR0005ADX
PTR100-GR-300	55	300	1,5	A0GR0006	AIGR0006ADX	AYGR0006ADX
PTR100-GR-400	55	400	1,5	A0GR0008	AIGR0008ADX	AYGR0008ADX
PTR100-GR-500	55	500	1,5	A0GR0010	AIGR0010ADX	AYGR0010ADX
PTR150-GR-50	97	50	2	AZGR0001AND	AIGR0001AND	AYGR0001AND
PTR150-GR-100	97	100	2	AZGR0002AND	AIGR0002AND	AYGR0002AND
PTR150-GR-150	97	150	2	AZGR0003AND	AIGR0003AND	AYGR0003AND
PTR150-GR-200	97	200	2	AZGR0004AND	AIGR0004AND	AYGR0004AND
PTR150-GR-250	97	250	2	AZGR0005AND	AIGR0005AND	AYGR0005AND
PTR150-GR-300	97	300	2	AZGR0006AND	AIGR0006AND	AYGR0006AND
PTR150-GR-400	97	400	2	AZGR0008AND	AIGR0008AND	AYGR0008AND
PTR150-GR-500	97	500	2	AZGR0010AND	AIGR0010AND	AYGR0010AND
PTR150-GR-600	97	600	2	AZGR0012AND	AIGR0012AND	AYGR0012AND

**A Richiesta.** Materiale: Alluminio - Finitura: Verniciatura - Spessore (Th): 1,2 - 1,5 - 2 mm. **On request.** Material: Aluminium - Finish: Paint job - Thickness (Th): 1,2 - 1,5 - 2 mm.