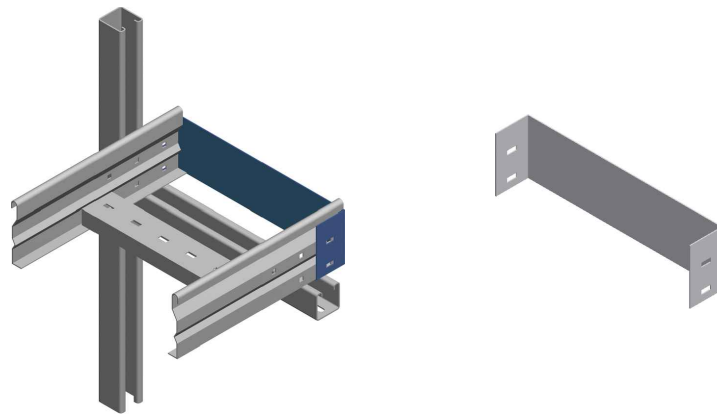
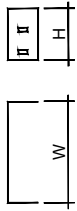


## [ terminazione passerella | end plate ]



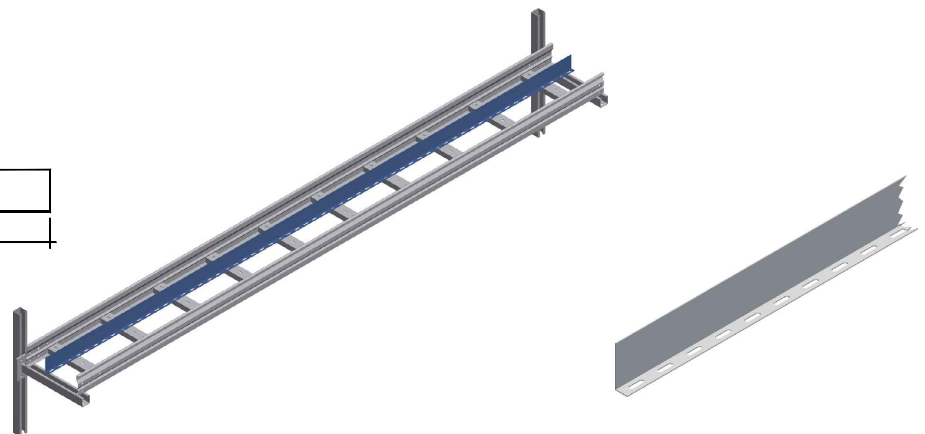
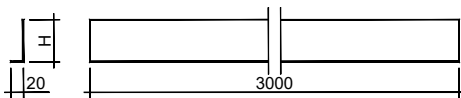
### ELEMENTO | ELEMENT

### CODICE | CODE

Descr.	H	W	Th	HDG	AISI 304	AISI 316
PTR100-TP-100	85	100	1,5	A0TP0002	AITP0002APR	AYTP0002APR
PTR100-TP-200	85	200	1,5	A0TP0004	AITP0004APR	AYTP0004APR
PTR100-TP-300	85	300	1,5	A0TP0006	AITP0006APR	AYTP0006APR
PTR100-TP-400	85	400	1,5	A0TP0008	AITP0008APR	AYTP0008APR
PTR100-TP-500	85	500	1,5	A0TP0010	AITP0010APR	AYTP0010APR
PTR100-TP-600	85	600	1,5	A0TP0012	AITP0012APR	AYTP0012APR
PTR150-TP-200	135	200	1,5	AZTP0002ANC	AITP0002ANC	AYTP0002ANC
PTR150-TP-300	135	300	1,5	AZTP0004ANC	AITP0004ANC	AYTP0004ANC
PTR150-TP-400	135	400	1,5	AZTP0006ANC	AITP0006ANC	AYTP0006ANC
PTR150-TP-500	135	500	1,5	AZTP0008ANC	AITP0008ANC	AYTP0008ANC
PTR150-TP-600	135	600	1,5	AZTP0010ANC	AITP0010ANC	AYTP0010ANC
PTR150-TP-800	135	800	1,5	AZTP0012ANC	AITP0012ANC	AYTP0012ANC

**A Richiesta.** Materiale: Alluminio - Finitura: Verniciatura - Spessore (Th): 1,2 - 1,5 - 2 mm. **On request.** Material: Aluminium - Finish: Paint job - Thickness (Th): 1,2 - 1,5 - 2 mm.

## [ setto separatore | divider ]



### ELEMENTO | ELEMENT

### CODICE | CODE

Descr.	H	Th	HDG	AISI 304	AISI 316
PTR100-SS	70	1,5	A0SS3000	AISS3000ANZ	AYSS3000ANZ
PTR150-SS	120	1,5	AZSS3000ANB	AISS3000ANB	AYSS3000ANB

**A Richiesta.** Materiale: Alluminio - Finitura: Verniciatura - Spessore (Th): 1,2 - 1,5 - 2 mm. **On request.** Material: Aluminium - Finish: Paint job - Thickness (Th): 1,2 - 1,5 - 2 mm.