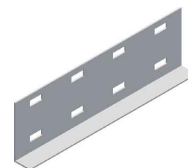
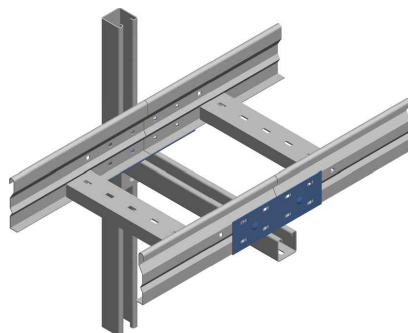
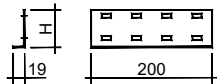


[giunto normale | normal joint]



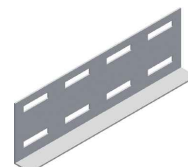
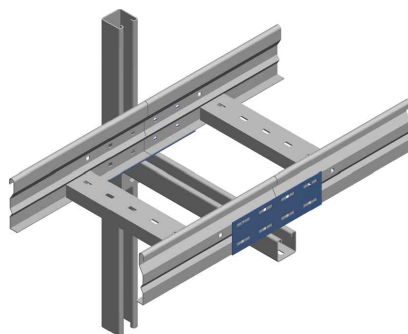
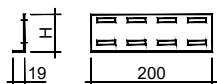
ELEMENTO | ELEMENT

CODICE | CODE

Descr.	H	Th	HDG	AISI 304	AISI 316
PTR100-GN	62	1,5	A0GN0000	AIGN0000ADX	AYGN0000ADX
PTR150-GN	97	2	AZGN0000AND	AIGN0000AND	AYGN0000AND

A Richiesta. Materiale: Alluminio - Finitura: Verniciatura - Spessore (Th): 1,2 -1,5 - 2 mm. **On request.** Material: Aluminium - Finish: Paint job - Thickness (Th): 1,2 - 1,5 - 2 mm.

[giunto ad espansione | expansion joint]



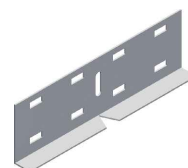
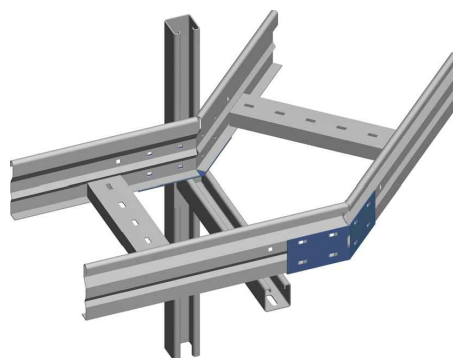
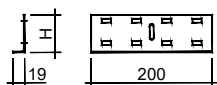
ELEMENTO | ELEMENT

CODICE | CODE

Descr.	H	Th	HDG	AISI 304	AISI 316
PTR100-GE	62	1,5	AZGE0000ADX	AIGE0000ADX	AYGE0000ADX
PTR150-GE	97	2	AZGE0000AND	AIGE0000AND	AYGE0000AND

A Richiesta. Materiale: Alluminio - Finitura: Verniciatura - Spessore (Th): 1,2 -1,5 - 2 mm. **On request.** Material: Aluminium - Finish: Paint job - Thickness (Th): 1,2 - 1,5 - 2 mm.

[giunto adattabile orizzontale | adjustable horizontal joint]



ELEMENTO | ELEMENT

CODICE | CODE

Descr.	H	Th	HDG	AISI 304	AISI 316
PTR100-GAO	62	1,5	A0GA0000	AIGA0000ADX	AYGA0000ADX
PTR150-GAO	97	2	AZGA0000AND	AIGA0000AND	AYGA0000AND

A Richiesta. Materiale: Alluminio - Finitura: Verniciatura - Spessore (Th): 1,2 -1,5 - 2 mm. **On request.** Material: Aluminium - Finish: Paint job - Thickness (Th): 1,2 - 1,5 - 2 mm.