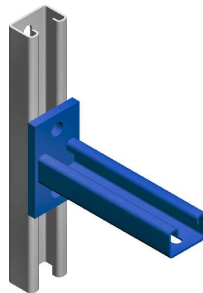
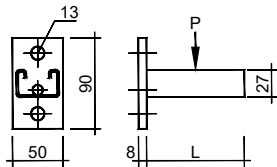


[sostegno orizzontale | horizontal support]



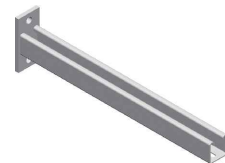
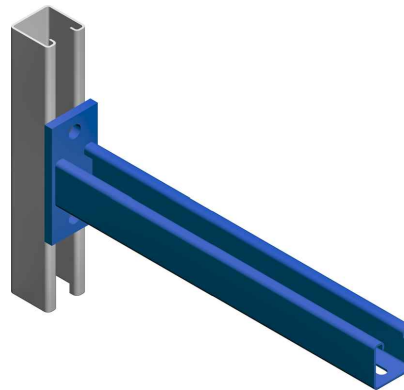
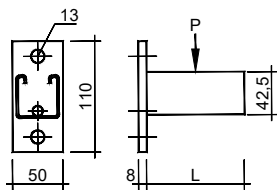
ELEMENTO | ELEMENT

Descr.	L	P	Th
SOF-50/27	97	3000	2
SOF-100/27	147	3000	2
SOF-200/27	247	2000	2
SOF-300/27	347	1400	2
SOF-400/27	447	1000	2

CODICE | CODE

HDG	AISI 304	AISI 316
S0SO2701	*	*
S0SO2702	*	*
S0SO2704	*	*
S0SO2706	*	*
S0SO2708	*	*

⁽¹⁾ Coefficiente di sicurezza 2,5 - Safety coefficient of 2,5. * A richiesta - On request



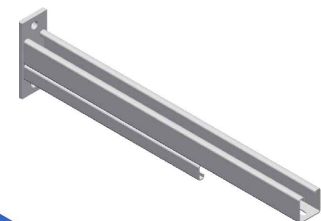
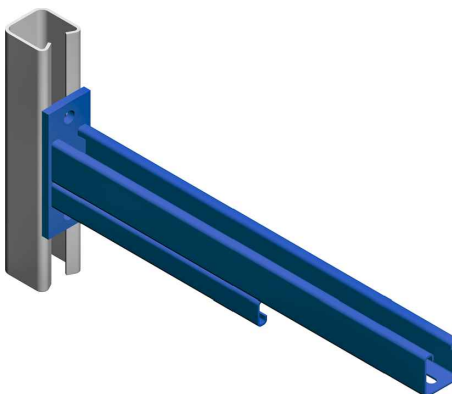
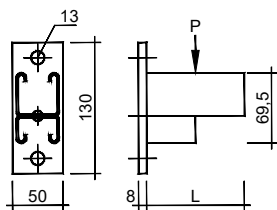
ELEMENTO | ELEMENT

Descr.	L	P	Th
SOF-300/42	347	2900	2
SOF-400/42	447	2200	2
SOF-500/42	547	1800	2

CODICE | CODE

HDG	AISI 304	AISI 316
S0SO4206	*	*
S0SO4208	*	*
S0SO4210	*	*

⁽¹⁾ Coefficiente di sicurezza 2,5 - Safety coefficient of 2,5. * A richiesta - On request



ELEMENTO | ELEMENT

Descr.	L	P	Th
SOF-400/69	447	5000	2
SOF-500/69	547	4000	2
SOF-600/69	647	3400	2

CODICE | CODE

HDG	AISI 304	AISI 316
S0SO6908	*	*
S0SO6910	*	*
S0SO6912	*	*

⁽¹⁾ Coefficiente di sicurezza 2,5 - Safety coefficient of 2,5. * A richiesta - On request