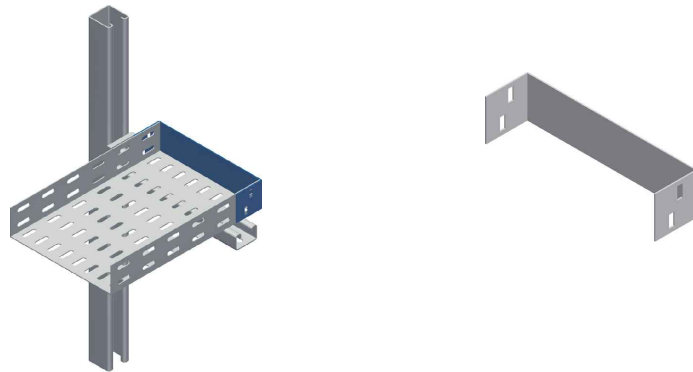
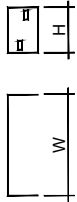


## [ terminazione passerella | end plate ]



### ELEMENTO | ELEMENT

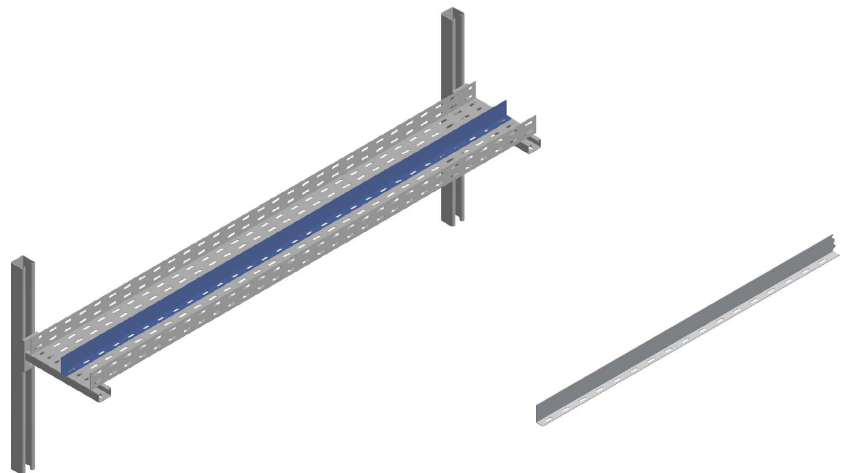
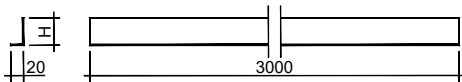
Descr.	H	W	Th
PFL25-TP-50	25	50	1,5
PFL25-TP-100	25	100	1,5
PFL50-TP-50	50	50	1,5
PFL50-TP-100	50	100	1,5
PFL50-TP-200	50	200	1,5
PFL50-TP-300	50	300	1,5
PFL75-TP-100	75	100	1,5
PFL75-TP-200	75	200	1,5
PFL75-TP-300	75	300	1,5
PFL75-TP-400	75	400	1,5
PFL75-TP-500	75	500	1,5

### CODICE | CODE

HDG	AISI 304	AISI 316
E0TP0101	AITP0001BDZ	AYTP0001BDZ
E0TP0102	AITP0002BDZ	AYTP0002BDZ
E0TP0201	AITP0001AOC	AYTP0001AOC
E0TP0202	AITP0002AOC	AYTP0002AOC
E0TP0204	AITP0004AOC	AYTP0004AOC
E0TP0206	AITP0006AOC	AYTP0006AOC
E0TP0302	AITP0002AOB	AYTP0002AOB
E0TP0304	AITP0004AOB	AYTP0004AOB
E0TP0306	AITP0006AOB	AYTP0006AOB
E0TP0308	AITP0008AOB	AYTP0008AOB
E0TP0310	AITP0010AOB	AYTP0010AOB

**A Richiesta.** Materiale: Alluminio - Finitura: Verniciatura - Spessore (Th): 1,0 - 1,2 - 1,5 - 2 mm. **On request.** Material: Aluminium - Finish: Paint job - Thickness (Th): 1,0 - 1,2 - 1,5 - 2 mm.

## [ setto separatore | divider ]



### ELEMENTO | ELEMENT

Descr.	H	Th
PFL25-SS	20	1,5
PFL50-SS	45	1,5
PFL75-SS	70	1,5

### CODICE | CODE

HDG	AISI 304	AISI 316
E0SS3025	AISS3000BEA	AYSS3000BEA
E0SS3050	AISS3000AME	AYSS3000AME
E0SS3075	AISS3000BEB	AYSS3000BEB

**A Richiesta.** Materiale: Alluminio - Finitura: Verniciatura - Spessore (Th): 1,0 - 1,2 - 1,5 - 2 mm. **On request.** Material: Aluminium - Finish: Paint job - Thickness (Th): 1,0 - 1,2 - 1,5 - 2 mm.