

18 [riduzione centrale | central reduction]

PFLR

[riduzione centrale | central reduction]

ELEMENTO | ELEMENT

Descr.	H	W	w	L	Th
PFLR60-RC-200/100	60	200	100	185	1,2
PFLR60-RC-300/100	60	300	100	200	1,2
PFLR60-RC-300/200	60	300	200	185	1,2
PFLR60-RC-400/100	60	400	100	250	1,2
PFLR60-RC-400/200	60	400	200	200	1,2
PFLR60-RC-400/300	60	400	300	185	1,2
PFLR60-RC-500/100	60	500	100	300	1,2
PFLR60-RC-500/200	60	500	200	250	1,2
PFLR60-RC-500/300	60	500	300	200	1,2
PFLR60-RC-500/400	60	500	400	185	1,2
PFLR60-RC-600/100	60	600	100	350	1,2
PFLR60-RC-600/200	60	600	200	300	1,2
PFLR60-RC-600/300	60	600	300	250	1,2
PFLR60-RC-600/400	60	600	400	200	1,2
PFLR60-RC-600/500	60	600	500	185	1,2
PFLR60-RC-200/100	60	200	100	185	1,5
PFLR60-RC-300/100	60	300	100	200	1,5
PFLR60-RC-300/200	60	300	200	185	1,5
PFLR60-RC-400/100	60	400	100	250	1,5
PFLR60-RC-400/200	60	400	200	200	1,5
PFLR60-RC-400/300	60	400	300	185	1,5
PFLR60-RC-500/100	60	500	100	300	1,5
PFLR60-RC-500/200	60	500	200	250	1,5
PFLR60-RC-500/300	60	500	300	200	1,5
PFLR60-RC-500/400	60	500	400	185	1,5
PFLR60-RC-600/100	60	600	100	350	1,5
PFLR60-RC-600/200	60	600	200	300	1,5
PFLR60-RC-600/300	60	600	300	250	1,5
PFLR60-RC-600/400	60	600	400	200	1,5
PFLR60-RC-600/500	60	600	500	185	1,5

CODICE | CODE

HDG	AISI 304	AISI 316
PZRC0402AJX	PIRC0402AJX	PYRC0402AJX
PZRC0602AJX	PIRC0602AJX	PYRC0602AJX
PZRC0604AJX	PIRC0604AJX	PYRC0604AJX
PZRC0802AJX	PIRC0802AJX	PYRC0802AJX
PZRC0804AJX	PIRC0804AJX	PYRC0804AJX
PZRC0806AJX	PIRC0806AJX	PYRC0806AJX
PZRC1002AJX	PIRC1002AJX	PYRC1002AJX
PZRC1004AJX	PIRC1004AJX	PYRC1004AJX
PZRC1006AJX	PIRC1006AJX	PYRC1006AJX
PZRC1008AJX	PIRC1008AJX	PYRC1008AJX
PZRC1202AJX	PIRC1202AJX	PYRC1202AJX
PZRC1204AJX	PIRC1204AJX	PYRC1204AJX
PZRC1206AJX	PIRC1206AJX	PYRC1206AJX
PZRC1208AJX	PIRC1208AJX	PYRC1208AJX
PZRC1210AJX	PIRC1210AJX	PYRC1210AJX
🟢 B0RC0402	PIRC0402AEU	PYRC0402AEU
🟢 B0RC0602	PIRC0602AEU	PYRC0602AEU
🟢 B0RC0604	PIRC0604AEU	PYRC0604AEU
🟢 B0RC0802	PIRC0802AEU	PYRC0802AEU
🟢 B0RC0804	PIRC0804AEU	PYRC0804AEU
🟢 B0RC0806	PIRC0806AEU	PYRC0806AEU
🟢 B0RC1002	PIRC1002AEU	PYRC1002AEU
🟢 B0RC1004	PIRC1004AEU	PYRC1004AEU
🟢 B0RC1006	PIRC1006AEU	PYRC1006AEU
🟢 B0RC1008	PIRC1008AEU	PYRC1008AEU
🟢 B0RC1202	PIRC1202AEU	PYRC1202AEU
🟢 B0RC1204	PIRC1204AEU	PYRC1204AEU
🟢 B0RC1206	PIRC1206AEU	PYRC1206AEU
🟢 B0RC1208	PIRC1208AEU	PYRC1208AEU
🟢 B0RC1210	PIRC1210AEU	PYRC1210AEU

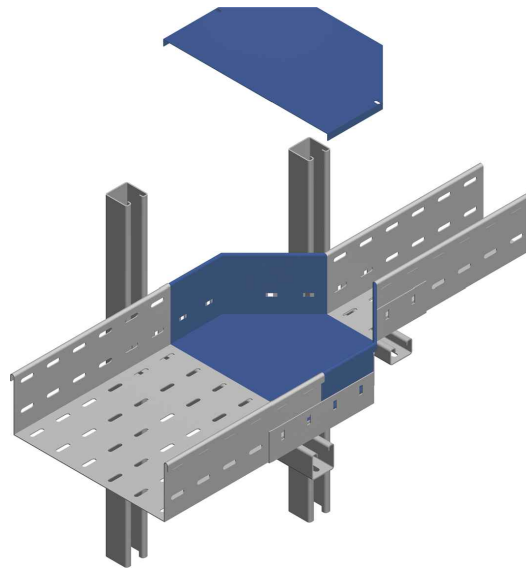
COPERCHIO | COVER

Descr.	h	W	w	L	Th
PFLR-CRC-200/100	12	200	100	185	1
PFLR-CRC-300/100	12	300	100	200	1
PFLR-CRC-300/200	12	300	200	185	1
PFLR-CRC-400/100	12	400	100	250	1
PFLR-CRC-400/200	12	400	200	200	1
PFLR-CRC-400/300	12	400	300	185	1
PFLR-CRC-500/100	12	500	100	300	1
PFLR-CRC-500/200	12	500	200	250	1
PFLR-CRC-500/300	12	500	300	200	1
PFLR-CRC-500/400	12	500	400	185	1
PFLR-CRC-600/100	12	600	100	350	1
PFLR-CRC-600/200	12	600	200	300	1
PFLR-CRC-600/300	12	600	300	250	1
PFLR-CRC-600/400	12	600	400	200	1
PFLR-CRC-600/500	12	600	500	185	1

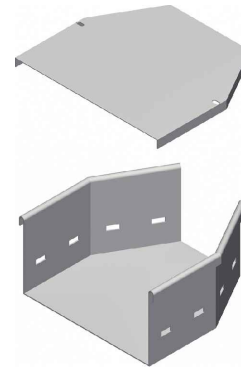
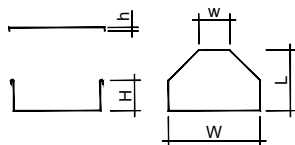
CODICE | CODE

HDG	AISI 304	AISI 316
H0RC0402	CIRC0402AFQ	CYRC0402AFQ
H0RC0602	CIRC0602AFQ	CYRC0602AFQ
H0RC0604	CIRC0604AFQ	CYRC0604AFQ
H0RC0802	CIRC0802AFQ	CYRC0802AFQ
H0RC0804	CIRC0804AFQ	CYRC0804AFQ
H0RC0806	CIRC0806AFQ	CYRC0806AFQ
H0RC1002	CIRC1002AFQ	CYRC1002AFQ
H0RC1004	CIRC1004AFQ	CYRC1004AFQ
H0RC1006	CIRC1006AFQ	CYRC1006AFQ
H0RC1008	CIRC1008AFQ	CYRC1008AFQ
H0RC1202	CIRC1202AFQ	CYRC1202AFQ
H0RC1204	CIRC1204AFQ	CYRC1204AFQ
H0RC1206	CIRC1206AFQ	CYRC1206AFQ
H0RC1208	CIRC1208AFQ	CYRC1208AFQ
H0RC1210	CIRC1210AFQ	CYRC1210AFQ

A Richiesta. Materiale: Alluminio - Finitura: Verniciatura - Altezza (H): 50+150 mm - Spessore (Th): 1,0 - 1,2 - 1,5 - 2 mm.
 On request. Material: Aluminium - Finish: Paint job - Height (H): 50+150 mm - Thickness (Th): 1,0 - 1,2 - 1,5 - 2 mm.



[riduzione centrale | central reduction]



ELEMENTO | ELEMENT

Descr.	H	W	w	L	Th
PFLR100-RC-200/100	100	200	100	185	1,5
PFLR100-RC-300/100	100	300	100	200	1,5
PFLR100-RC-300/200	100	300	200	185	1,5
PFLR100-RC-400/100	100	400	100	250	1,5
PFLR100-RC-400/200	100	400	200	200	1,5
PFLR100-RC-400/300	100	400	300	185	1,5
PFLR100-RC-500/100	100	500	100	300	1,5
PFLR100-RC-500/200	100	500	200	250	1,5
PFLR100-RC-500/300	100	500	300	200	1,5
PFLR100-RC-500/400	100	500	400	185	1,5
PFLR100-RC-600/100	100	600	100	350	1,5
PFLR100-RC-600/200	100	600	200	300	1,5
PFLR100-RC-600/300	100	600	300	250	1,5
PFLR100-RC-600/400	100	600	400	200	1,5
PFLR100-RC-600/500	100	600	500	185	1,5
PFLR100-RC-200/100	100	200	100	185	2
PFLR100-RC-300/100	100	300	100	200	2
PFLR100-RC-300/200	100	300	200	185	2
PFLR100-RC-400/100	100	400	100	250	2
PFLR100-RC-400/200	100	400	200	200	2
PFLR100-RC-400/300	100	400	300	185	2
PFLR100-RC-500/100	100	500	100	300	2
PFLR100-RC-500/200	100	500	200	250	2
PFLR100-RC-500/300	100	500	300	200	2
PFLR100-RC-500/400	100	500	400	185	2
PFLR100-RC-600/100	100	600	100	350	2
PFLR100-RC-600/200	100	600	200	300	2
PFLR100-RC-600/300	100	600	300	250	2
PFLR100-RC-600/400	100	600	400	200	2
PFLR100-RC-600/500	100	600	500	185	2

CODICE | CODE

HDG	AISI 304	AISI 316
⊕ C0RC0402	PIRC0402AEQ	PYRC0402AEQ
⊕ C0RC0602	PIRC0602AEQ	PYRC0602AEQ
⊕ C0RC0604	PIRC0604AEQ	PYRC0604AEQ
⊕ C0RC0802	PIRC0802AEQ	PYRC0802AEQ
⊕ C0RC0804	PIRC0804AEQ	PYRC0804AEQ
⊕ C0RC0806	PIRC0806AEQ	PYRC0806AEQ
⊕ C0RC1002	PIRC1002AEQ	PYRC1002AEQ
⊕ C0RC1004	PIRC1004AEQ	PYRC1004AEQ
⊕ C0RC1006	PIRC1006AEQ	PYRC1006AEQ
⊕ C0RC1008	PIRC1008AEQ	PYRC1008AEQ
⊕ C0RC1202	PIRC1202AEQ	PYRC1202AEQ
⊕ C0RC1204	PIRC1204AEQ	PYRC1204AEQ
⊕ C0RC1206	PIRC1206AEQ	PYRC1206AEQ
⊕ C0RC1208	PIRC1208AEQ	PYRC1208AEQ
⊕ C0RC1210	PIRC1210AEQ	PYRC1210AEQ
PZRC0402AQQ	PIRC0402AQQ	PYRC0402AQQ
PZRC0602AQQ	PIRC0602AQQ	PYRC0602AQQ
PZRC0604AQQ	PIRC0604AQQ	PYRC0604AQQ
PZRC0802AQQ	PIRC0802AQQ	PYRC0802AQQ
PZRC0804AQQ	PIRC0804AQQ	PYRC0804AQQ
PZRC0806AQQ	PIRC0806AQQ	PYRC0806AQQ
PZRC1002AQQ	PIRC1002AQQ	PYRC1002AQQ
PZRC1004AQQ	PIRC1004AQQ	PYRC1004AQQ
PZRC1006AQQ	PIRC1006AQQ	PYRC1006AQQ
PZRC1008AQQ	PIRC1008AQQ	PYRC1008AQQ
PZRC1202AQQ	PIRC1202AQQ	PYRC1202AQQ
PZRC1204AQQ	PIRC1204AQQ	PYRC1204AQQ
PZRC1206AQQ	PIRC1206AQQ	PYRC1206AQQ
PZRC1208AQQ	PIRC1208AQQ	PYRC1208AQQ
PZRC1210AQQ	PIRC1210AQQ	PYRC1210AQQ

COOPERCHIO | COVER

Descr.	h	W	w	L	Th
PFLR-CRC-200/100	12	200	100	185	1
PFLR-CRC-300/100	12	300	100	200	1
PFLR-CRC-300/200	12	300	200	185	1
PFLR-CRC-400/100	12	400	100	250	1
PFLR-CRC-400/200	12	400	200	200	1
PFLR-CRC-400/300	12	400	300	185	1
PFLR-CRC-500/100	12	500	100	300	1
PFLR-CRC-500/200	12	500	200	250	1
PFLR-CRC-500/300	12	500	300	200	1
PFLR-CRC-500/400	12	500	400	185	1
PFLR-CRC-600/100	12	600	100	350	1
PFLR-CRC-600/200	12	600	200	300	1
PFLR-CRC-600/300	12	600	300	250	1
PFLR-CRC-600/400	12	600	400	200	1
PFLR-CRC-600/500	12	600	500	185	1

CODICE | CODE

HDG	AISI 304	AISI 316
H0RC0402	CIRC0402AFQ	CYRC0402AFQ
H0RC0602	CIRC0602AFQ	CYRC0602AFQ
H0RC0604	CIRC0604AFQ	CYRC0604AFQ
H0RC0802	CIRC0802AFQ	CYRC0802AFQ
H0RC0804	CIRC0804AFQ	CYRC0804AFQ
H0RC0806	CIRC0806AFQ	CYRC0806AFQ
H0RC1002	CIRC1002AFQ	CYRC1002AFQ
H0RC1004	CIRC1004AFQ	CYRC1004AFQ
H0RC1006	CIRC1006AFQ	CYRC1006AFQ
H0RC1008	CIRC1008AFQ	CYRC1008AFQ
H0RC1202	CIRC1202AFQ	CYRC1202AFQ
H0RC1204	CIRC1204AFQ	CYRC1204AFQ
H0RC1206	CIRC1206AFQ	CYRC1206AFQ
H0RC1208	CIRC1208AFQ	CYRC1208AFQ
H0RC1210	CIRC1210AFQ	CYRC1210AFQ

A Richiesta. Materiale: Alluminio - Finitura: Verniciatura - Altezza (H): 50+150 mm - Spessore (Th): 1,0 - 1,2 - 1,5 - 2 mm.
 On request. Material: Aluminium - Finish: Paint job - Height (H): 50+150 mm - Thickness (Th): 1,0 - 1,2 - 1,5 - 2 mm.