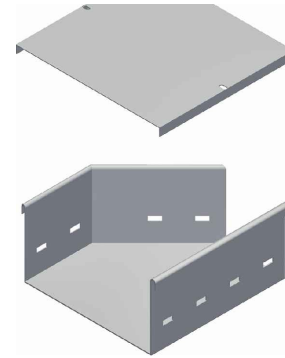
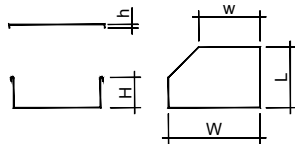


20 [riduzione destra | right reduction]



PFLR

[riduzione destra | right reduction]

ELEMENTO | ELEMENT

| Descr. | H | W | w | L | Th |
|-------------------|----|-----|-----|-----|-----|
| PFLR60-RD-200/100 | 60 | 200 | 100 | 200 | 1,2 |
| PFLR60-RD-300/100 | 60 | 300 | 100 | 300 | 1,2 |
| PFLR60-RD-300/200 | 60 | 300 | 200 | 200 | 1,2 |
| PFLR60-RD-400/100 | 60 | 400 | 100 | 400 | 1,2 |
| PFLR60-RD-400/200 | 60 | 400 | 200 | 300 | 1,2 |
| PFLR60-RD-400/300 | 60 | 400 | 300 | 200 | 1,2 |
| PFLR60-RD-500/100 | 60 | 500 | 100 | 500 | 1,2 |
| PFLR60-RD-500/200 | 60 | 500 | 200 | 400 | 1,2 |
| PFLR60-RD-500/300 | 60 | 500 | 300 | 300 | 1,2 |
| PFLR60-RD-500/400 | 60 | 500 | 400 | 200 | 1,2 |
| PFLR60-RD-600/100 | 60 | 600 | 100 | 600 | 1,2 |
| PFLR60-RD-600/200 | 60 | 600 | 200 | 500 | 1,2 |
| PFLR60-RD-600/300 | 60 | 600 | 300 | 400 | 1,2 |
| PFLR60-RD-600/400 | 60 | 600 | 400 | 300 | 1,2 |
| PFLR60-RD-600/500 | 60 | 600 | 500 | 200 | 1,2 |
| PFLR60-RD-200/100 | 60 | 200 | 100 | 200 | 1,5 |
| PFLR60-RD-300/100 | 60 | 300 | 100 | 300 | 1,5 |
| PFLR60-RD-300/200 | 60 | 300 | 200 | 200 | 1,5 |
| PFLR60-RD-400/100 | 60 | 400 | 100 | 400 | 1,5 |
| PFLR60-RD-400/200 | 60 | 400 | 200 | 300 | 1,5 |
| PFLR60-RD-400/300 | 60 | 400 | 300 | 200 | 1,5 |
| PFLR60-RD-500/100 | 60 | 500 | 100 | 500 | 1,5 |
| PFLR60-RD-500/200 | 60 | 500 | 200 | 400 | 1,5 |
| PFLR60-RD-500/300 | 60 | 500 | 300 | 300 | 1,5 |
| PFLR60-RD-500/400 | 60 | 500 | 400 | 200 | 1,5 |
| PFLR60-RD-600/100 | 60 | 600 | 100 | 600 | 1,5 |
| PFLR60-RD-600/200 | 60 | 600 | 200 | 500 | 1,5 |
| PFLR60-RD-600/300 | 60 | 600 | 300 | 400 | 1,5 |
| PFLR60-RD-600/400 | 60 | 600 | 400 | 300 | 1,5 |
| PFLR60-RD-600/500 | 60 | 600 | 500 | 200 | 1,5 |

CODICE | CODE

| HDG | AISI 304 | AISI 316 |
|-------------|-------------|-------------|
| PZRD0402AJX | PIRD0402AJX | PYRD0402AJX |
| PZRD0602AJX | PIRD0602AJX | PYRD0602AJX |
| PZRD0604AJX | PIRD0604AJX | PYRD0604AJX |
| PZRD0802AJX | PIRD0802AJX | PYRD0802AJX |
| PZRD0804AJX | PIRD0804AJX | PYRD0804AJX |
| PZRD0806AJX | PIRD0806AJX | PYRD0806AJX |
| PZRD1002AJX | PIRD1002AJX | PYRD1002AJX |
| PZRD1004AJX | PIRD1004AJX | PYRD1004AJX |
| PZRD1006AJX | PIRD1006AJX | PYRD1006AJX |
| PZRD1008AJX | PIRD1008AJX | PYRD1008AJX |
| PZRD1202AJX | PIRD1202AJX | PYRD1202AJX |
| PZRD1204AJX | PIRD1204AJX | PYRD1204AJX |
| PZRD1206AJX | PIRD1206AJX | PYRD1206AJX |
| PZRD1208AJX | PIRD1208AJX | PYRD1208AJX |
| PZRD1210AJX | PIRD1210AJX | PYRD1210AJX |
| ⊕ B0RD0402 | PIRD0402AEU | PYRD0402AEU |
| ⊕ B0RD0602 | PIRD0602AEU | PYRD0602AEU |
| ⊕ B0RD0604 | PIRD0604AEU | PYRD0604AEU |
| ⊕ B0RD0802 | PIRD0802AEU | PYRD0802AEU |
| ⊕ B0RD0804 | PIRD0804AEU | PYRD0804AEU |
| ⊕ B0RD0806 | PIRD0806AEU | PYRD0806AEU |
| ⊕ B0RD1002 | PIRD1002AEU | PYRD1002AEU |
| ⊕ B0RD1004 | PIRD1004AEU | PYRD1004AEU |
| ⊕ B0RD1006 | PIRD1006AEU | PYRD1006AEU |
| ⊕ B0RD1008 | PIRD1008AEU | PYRD1008AEU |
| ⊕ B0RD1202 | PIRD1202AEU | PYRD1202AEU |
| ⊕ B0RD1204 | PIRD1204AEU | PYRD1204AEU |
| ⊕ B0RD1206 | PIRD1206AEU | PYRD1206AEU |
| ⊕ B0RD1208 | PIRD1208AEU | PYRD1208AEU |
| ⊕ B0RD1210 | PIRD1210AEU | PYRD1210AEU |

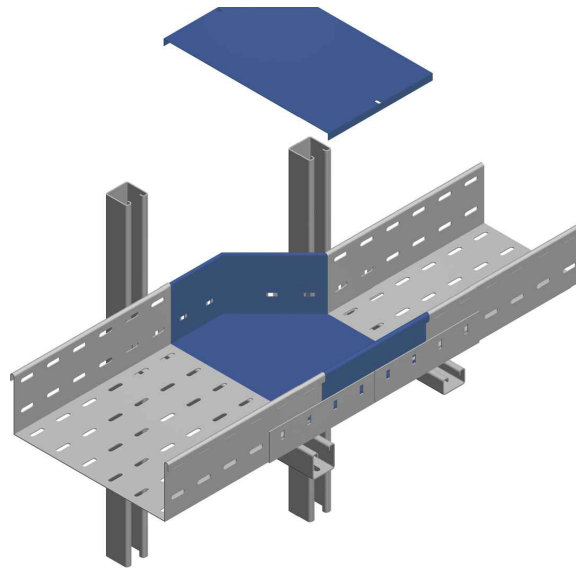
COPERCHIO | COVER

| Descr. | h | W | w | L | Th |
|------------------|----|-----|-----|-----|----|
| PFLR-CRD-200/100 | 12 | 200 | 100 | 200 | 1 |
| PFLR-CRD-300/100 | 12 | 300 | 100 | 300 | 1 |
| PFLR-CRD-300/200 | 12 | 300 | 200 | 200 | 1 |
| PFLR-CRD-400/100 | 12 | 400 | 100 | 400 | 1 |
| PFLR-CRD-400/200 | 12 | 400 | 200 | 300 | 1 |
| PFLR-CRD-400/300 | 12 | 400 | 300 | 200 | 1 |
| PFLR-CRD-500/100 | 12 | 500 | 100 | 500 | 1 |
| PFLR-CRD-500/200 | 12 | 500 | 200 | 400 | 1 |
| PFLR-CRD-500/300 | 12 | 500 | 300 | 300 | 1 |
| PFLR-CRD-500/400 | 12 | 500 | 400 | 200 | 1 |
| PFLR-CRD-600/100 | 12 | 600 | 100 | 600 | 1 |
| PFLR-CRD-600/200 | 12 | 600 | 200 | 500 | 1 |
| PFLR-CRD-600/300 | 12 | 600 | 300 | 400 | 1 |
| PFLR-CRD-600/400 | 12 | 600 | 400 | 300 | 1 |
| PFLR-CRD-600/500 | 12 | 600 | 500 | 200 | 1 |

CODICE | CODE

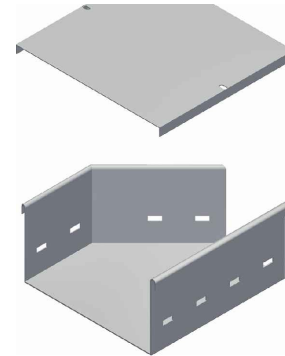
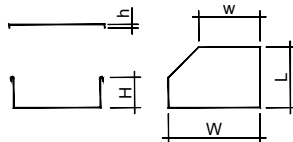
| HDG | AISI 304 | AISI 316 |
|----------|-------------|-------------|
| H0RD0402 | CIRD0402AFQ | CYRD0402AFQ |
| H0RD0602 | CIRD0602AFQ | CYRD0602AFQ |
| H0RD0604 | CIRD0604AFQ | CYRD0604AFQ |
| H0RD0802 | CIRD0802AFQ | CYRD0802AFQ |
| H0RD0804 | CIRD0804AFQ | CYRD0804AFQ |
| H0RD0806 | CIRD0806AFQ | CYRD0806AFQ |
| H0RD1002 | CIRD1002AFQ | CYRD1002AFQ |
| H0RD1004 | CIRD1004AFQ | CYRD1004AFQ |
| H0RD1006 | CIRD1006AFQ | CYRD1006AFQ |
| H0RD1008 | CIRD1008AFQ | CYRD1008AFQ |
| H0RD1202 | CIRD1202AFQ | CYRD1202AFQ |
| H0RD1204 | CIRD1204AFQ | CYRD1204AFQ |
| H0RD1206 | CIRD1206AFQ | CYRD1206AFQ |
| H0RD1208 | CIRD1208AFQ | CYRD1208AFQ |
| H0RD1210 | CIRD1210AFQ | CYRD1210AFQ |

A Richiesta. Materiale: Alluminio - Finitura: Verniciatura - Altezza (H): 50+150 mm - Spessore (Th): 1,0 - 1,2 - 1,5 - 2 mm.
 On request. Material: Aluminium - Finish: Paint job - Height (H): 50+150 mm - Thickness (Th): 1,0 - 1,2 - 1,5 - 2 mm.



[riduzione destra | right reduction]

21



ELEMENTO | ELEMENT

| Descr. | H | W | w | L | Th |
|--------------------|-----|-----|-----|-----|-----|
| PFLR100-RD-200/100 | 100 | 200 | 100 | 200 | 1,5 |
| PFLR100-RD-300/100 | 100 | 300 | 100 | 300 | 1,5 |
| PFLR100-RD-300/200 | 100 | 300 | 200 | 200 | 1,5 |
| PFLR100-RD-400/100 | 100 | 400 | 100 | 400 | 1,5 |
| PFLR100-RD-400/200 | 100 | 400 | 200 | 300 | 1,5 |
| PFLR100-RD-400/300 | 100 | 400 | 300 | 200 | 1,5 |
| PFLR100-RD-500/100 | 100 | 500 | 100 | 500 | 1,5 |
| PFLR100-RD-500/200 | 100 | 500 | 200 | 400 | 1,5 |
| PFLR100-RD-500/300 | 100 | 500 | 300 | 300 | 1,5 |
| PFLR100-RD-500/400 | 100 | 500 | 400 | 200 | 1,5 |
| PFLR100-RD-600/100 | 100 | 600 | 100 | 600 | 1,5 |
| PFLR100-RD-600/200 | 100 | 600 | 200 | 500 | 1,5 |
| PFLR100-RD-600/300 | 100 | 600 | 300 | 400 | 1,5 |
| PFLR100-RD-600/400 | 100 | 600 | 400 | 300 | 1,5 |
| PFLR100-RD-600/500 | 100 | 600 | 500 | 200 | 1,5 |
| PFLR100-RD-200/100 | 100 | 200 | 100 | 200 | 2 |
| PFLR100-RD-300/100 | 100 | 300 | 100 | 300 | 2 |
| PFLR100-RD-300/200 | 100 | 300 | 200 | 200 | 2 |
| PFLR100-RD-400/100 | 100 | 400 | 100 | 400 | 2 |
| PFLR100-RD-400/200 | 100 | 400 | 200 | 300 | 2 |
| PFLR100-RD-400/300 | 100 | 400 | 300 | 200 | 2 |
| PFLR100-RD-500/100 | 100 | 500 | 100 | 500 | 2 |
| PFLR100-RD-500/200 | 100 | 500 | 200 | 400 | 2 |
| PFLR100-RD-500/300 | 100 | 500 | 300 | 300 | 2 |
| PFLR100-RD-500/400 | 100 | 500 | 400 | 200 | 2 |
| PFLR100-RD-600/100 | 100 | 600 | 100 | 600 | 2 |
| PFLR100-RD-600/200 | 100 | 600 | 200 | 500 | 2 |
| PFLR100-RD-600/300 | 100 | 600 | 300 | 400 | 2 |
| PFLR100-RD-600/400 | 100 | 600 | 400 | 300 | 2 |
| PFLR100-RD-600/500 | 100 | 600 | 500 | 200 | 2 |

CODICE | CODE

| HDG | AISI 304 | AISI 316 |
|-------------|-------------|-------------|
| CORD0402 | PIRD0402AEQ | PYRD0402AEQ |
| CORD0602 | PIRD0602AEQ | PYRD0602AEQ |
| CORD0604 | PIRD0604AEQ | PYRD0604AEQ |
| CORD0802 | PIRD0802AEQ | PYRD0802AEQ |
| CORD0804 | PIRD0804AEQ | PYRD0804AEQ |
| CORD0806 | PIRD0806AEQ | PYRD0806AEQ |
| CORD1002 | PIRD1002AEQ | PYRD1002AEQ |
| CORD1004 | PIRD1004AEQ | PYRD1004AEQ |
| CORD1006 | PIRD1006AEQ | PYRD1006AEQ |
| CORD1008 | PIRD1008AEQ | PYRD1008AEQ |
| CORD1202 | PIRD1202AEQ | PYRD1202AEQ |
| CORD1204 | PIRD1204AEQ | PYRD1204AEQ |
| CORD1206 | PIRD1206AEQ | PYRD1206AEQ |
| CORD1208 | PIRD1208AEQ | PYRD1208AEQ |
| CORD1210 | PIRD1210AEQ | PYRD1210AEQ |
| PZRD0402AQQ | PIRD0402AQQ | PYRD0402AQQ |
| PZRD0602AQQ | PIRD0602AQQ | PYRD0602AQQ |
| PZRD0604AQQ | PIRD0604AQQ | PYRD0604AQQ |
| PZRD0802AQQ | PIRD0802AQQ | PYRD0802AQQ |
| PZRD0804AQQ | PIRD0804AQQ | PYRD0804AQQ |
| PZRD0806AQQ | PIRD0806AQQ | PYRD0806AQQ |
| PZRD1002AQQ | PIRD1002AQQ | PYRD1002AQQ |
| PZRD1004AQQ | PIRD1004AQQ | PYRD1004AQQ |
| PZRD1006AQQ | PIRD1006AQQ | PYRD1006AQQ |
| PZRD1008AQQ | PIRD1008AQQ | PYRD1008AQQ |
| PZRD1202AQQ | PIRD1202AQQ | PYRD1202AQQ |
| PZRD1204AQQ | PIRD1204AQQ | PYRD1204AQQ |
| PZRD1206AQQ | PIRD1206AQQ | PYRD1206AQQ |
| PZRD1208AQQ | PIRD1208AQQ | PYRD1208AQQ |
| PZRD1210AQQ | PIRD1210AQQ | PYRD1210AQQ |

COPERCHIO | COVER

| Descr. | h | W | w | L | Th |
|------------------|----|-----|-----|-----|----|
| PFLR-CRD-200/100 | 12 | 200 | 100 | 200 | 1 |
| PFLR-CRD-300/100 | 12 | 300 | 100 | 300 | 1 |
| PFLR-CRD-300/200 | 12 | 300 | 200 | 200 | 1 |
| PFLR-CRD-400/100 | 12 | 400 | 100 | 400 | 1 |
| PFLR-CRD-400/200 | 12 | 400 | 200 | 300 | 1 |
| PFLR-CRD-400/300 | 12 | 400 | 300 | 200 | 1 |
| PFLR-CRD-500/100 | 12 | 500 | 100 | 500 | 1 |
| PFLR-CRD-500/200 | 12 | 500 | 200 | 400 | 1 |
| PFLR-CRD-500/300 | 12 | 500 | 300 | 300 | 1 |
| PFLR-CRD-500/400 | 12 | 500 | 400 | 200 | 1 |
| PFLR-CRD-600/100 | 12 | 600 | 100 | 600 | 1 |
| PFLR-CRD-600/200 | 12 | 600 | 200 | 500 | 1 |
| PFLR-CRD-600/300 | 12 | 600 | 300 | 400 | 1 |
| PFLR-CRD-600/400 | 12 | 600 | 400 | 300 | 1 |
| PFLR-CRD-600/500 | 12 | 600 | 500 | 200 | 1 |

CODICE | CODE

| HDG | AISI 304 | AISI 316 |
|----------|-------------|-------------|
| HORD0402 | CIRD0402AFQ | CYRD0402AFQ |
| HORD0602 | CIRD0602AFQ | CYRD0602AFQ |
| HORD0604 | CIRD0604AFQ | CYRD0604AFQ |
| HORD0802 | CIRD0802AFQ | CYRD0802AFQ |
| HORD0804 | CIRD0804AFQ | CYRD0804AFQ |
| HORD0806 | CIRD0806AFQ | CYRD0806AFQ |
| HORD1002 | CIRD1002AFQ | CYRD1002AFQ |
| HORD1004 | CIRD1004AFQ | CYRD1004AFQ |
| HORD1006 | CIRD1006AFQ | CYRD1006AFQ |
| HORD1008 | CIRD1008AFQ | CYRD1008AFQ |
| HORD1202 | CIRD1202AFQ | CYRD1202AFQ |
| HORD1204 | CIRD1204AFQ | CYRD1204AFQ |
| HORD1206 | CIRD1206AFQ | CYRD1206AFQ |
| HORD1208 | CIRD1208AFQ | CYRD1208AFQ |
| HORD1210 | CIRD1210AFQ | CYRD1210AFQ |

A Richiesta. Materiale: Alluminio - Finitura: Verniciatura - Altezza (H): 50+150 mm - Spessore (Th): 1,0 - 1,2 - 1,5 - 2 mm.
 On request. Material: Aluminium - Finish: Paint job - Height (H): 50+150 mm - Thickness (Th): 1,0 - 1,2 - 1,5 - 2 mm.