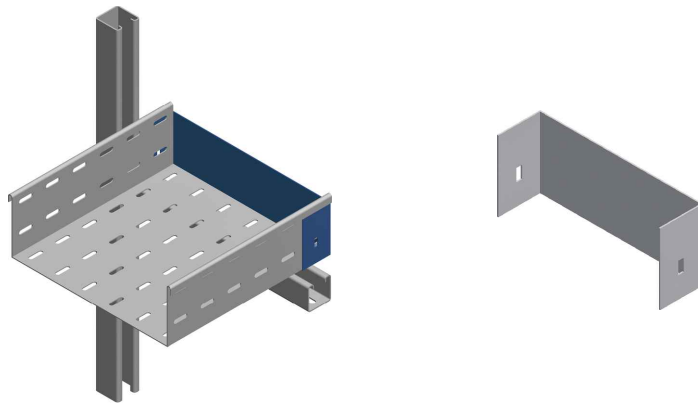
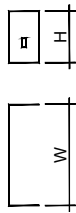


## [ terminazione passerella | end plate ]



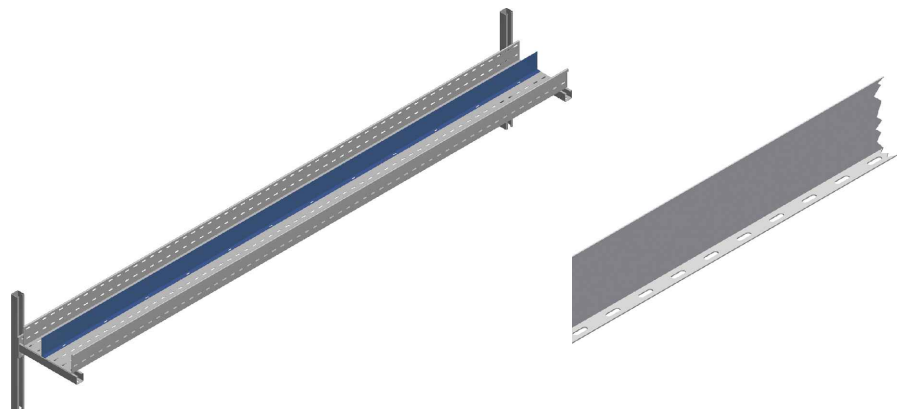
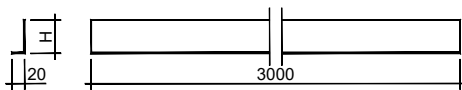
### ELEMENTO | ELEMENT

### CODICE | CODE

| Descr.         | H  | W   | Th  | HDG      | AISI 304    | AISI 316    |
|----------------|----|-----|-----|----------|-------------|-------------|
| PFLR60-TP-100  | 55 | 100 | 1,5 | B0TP0002 | AITP0002APS | AYTP0002APS |
| PFLR60-TP-200  | 55 | 200 | 1,5 | B0TP0004 | AITP0004APS | AYTP0004APS |
| PFLR60-TP-300  | 55 | 300 | 1,5 | B0TP0006 | AITP0006APS | AYTP0006APS |
| PFLR60-TP-400  | 55 | 400 | 1,5 | B0TP0008 | AITP0008APS | AYTP0008APS |
| PFLR60-TP-500  | 55 | 500 | 1,5 | B0TP0010 | AITP0010APS | AYTP0010APS |
| PFLR60-TP-600  | 55 | 600 | 1,5 | B0TP0012 | AITP0012APS | AYTP0012APS |
| PFLR100-TP-100 | 85 | 100 | 1,5 | C0TP0002 | AITP0002APT | AYTP0002APT |
| PFLR100-TP-200 | 85 | 200 | 1,5 | C0TP0004 | AITP0004APT | AYTP0004APT |
| PFLR100-TP-300 | 85 | 300 | 1,5 | C0TP0006 | AITP0006APT | AYTP0006APT |
| PFLR100-TP-400 | 85 | 400 | 1,5 | C0TP0008 | AITP0008APT | AYTP0008APT |
| PFLR100-TP-500 | 85 | 500 | 1,5 | C0TP0010 | AITP0010APT | AYTP0010APT |
| PFLR100-TP-600 | 85 | 600 | 1,5 | C0TP0012 | AITP0012APT | AYTP0012APT |

**A Richiesta.** Materiale: Alluminio - Finitura: Verniciatura - Spessore (Th): 1,0 - 1,2 - 1,5 - 2 mm. **On request.** Material: Aluminium - Finish: Paint job - Thickness (Th): 1,0 - 1,2 - 1,5 - 2 mm.

## [ setto separatore | divider ]



### ELEMENTO | ELEMENT

### CODICE | CODE

| Descr.     | H  | Th  | HDG        | AISI 304    | AISI 316    |
|------------|----|-----|------------|-------------|-------------|
| PFLR60-SS  | 55 | 1,5 | 🔗 B0SS3000 | AISS3000APM | AYSS3000APM |
| PFLR100-SS | 95 | 1,5 | 🔗 C0SS3000 | AISS3000AUH | AYSS3000AUH |

**A Richiesta.** Materiale: Alluminio - Finitura: Verniciatura - Spessore (Th): 1,0 - 1,2 - 1,5 - 2 mm. **On request.** Material: Aluminium - Finish: Paint job - Thickness (Th): 1,0 - 1,2 - 1,5 - 2 mm.