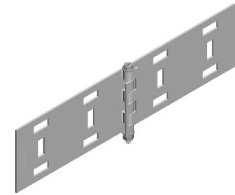
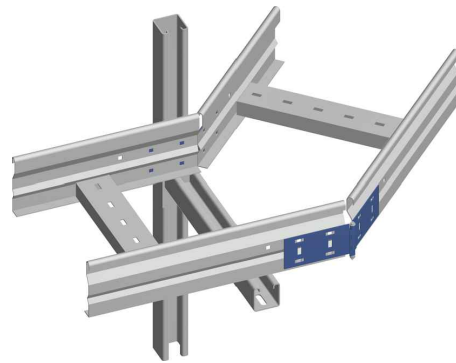
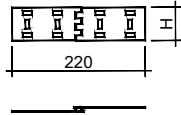


[giunto snodo orizzontale | horizontal hinged joint]



ELEMENTO | ELEMENT

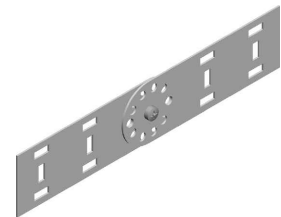
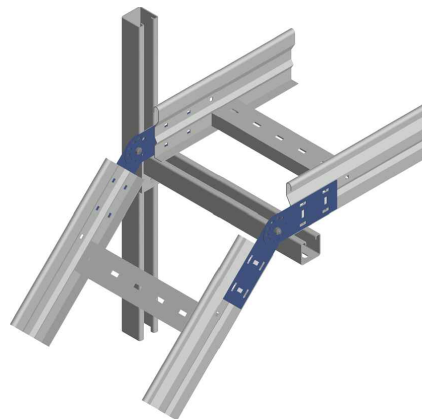
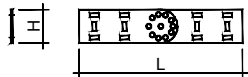
Descr.	H	Th
PTR100-GSO	55	1,5
PTR150-GSO	97	2

CODICE | CODE

HDG	AISI 304	AISI 316
AEGO0000	AIGO0000ADX	AYGO0000ADX
AZGO0000AND	AIGO0000AND	AYGO0000AND

A Richiesta. Materiale: Alluminio - Finitura: Verniciatura - Spessore (Th): 1,2-1,5 - 2 mm. **On request.** Material: Aluminium - Finish: Paint job - Thickness (Th): 1,2 - 1,5 - 2 mm.

[giunto snodo verticale | vertical hinged joint]



ELEMENTO | ELEMENT

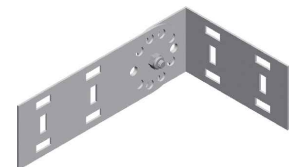
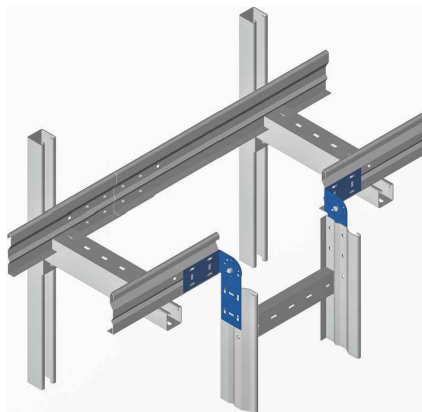
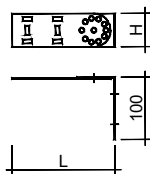
Descr.	H	Th
PTR100-GSV	55	1,5
PTR150-GSV	97	2

CODICE | CODE

HDG	AISI 304	AISI 316
AEGV0000	AIGV0000ADX	AYGV0000ADX
AZGV0000AND	AIGV0000AND	AYGV0000AND

A Richiesta. Materiale: Alluminio - Finitura: Verniciatura - Spessore (Th): 1,2-1,5 - 2 mm. **On request.** Material: Aluminium - Finish: Paint job - Thickness (Th): 1,2 - 1,5 - 2 mm.

[giunto attacco laterale | lateral connection joint]



ELEMENTO | ELEMENT

Descr.	H	L	Th
PTR100-GAL	55	170	1,5
PTR150-GAL	97	215	2

CODICE | CODE

HDG	AISI 304	AISI 316
AEAL0000	AIAL0000ADX	AYAL0000ADX
AZAL0000AND	AIAL0000AND	AYAL0000AND

A Richiesta. Materiale: Alluminio - Finitura: Verniciatura - Spessore (Th): 1,2-1,5 - 2 mm. **On request.** Material: Aluminium - Finish: Paint job - Thickness (Th): 1,2 - 1,5 - 2 mm.