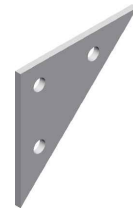
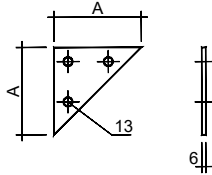


[fissaggio sostegno verticale | vertical support fastener]

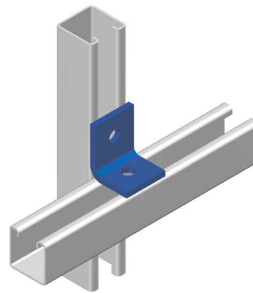
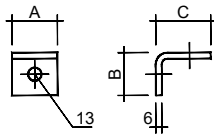


ELEMENTO | ELEMENT

CODICE | CODE

Descr.	A	HDG	AISI 304	AISI 316
FSV-CT/42	130	S0FS00CT	*	*
FSV-CT/50	150	S0FS50CT	*	*

* A richiesta - On request

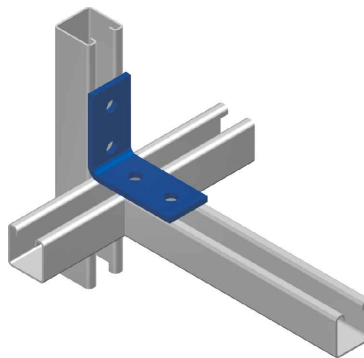
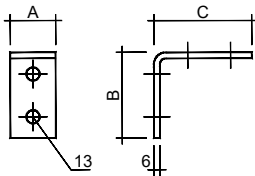


ELEMENTO | ELEMENT

CODICE | CODE

Descr.	A	B	C	HDG	AISI 304	AISI 316
FSV-SL/42	45	42,5	54,5	S0FS00SL	*	*
FSV-SL/50	50	50	62	S0FS50SL	*	*

* A richiesta - On request



ELEMENTO | ELEMENT

CODICE | CODE

Descr.	A	B	C	HDG	AISI 304	AISI 316
FSV-DL/42	45	85	97	S0FS00DL	*	*
FSV-DL/50	50	100	112	S0FS50DL	*	*

* A richiesta - On request